

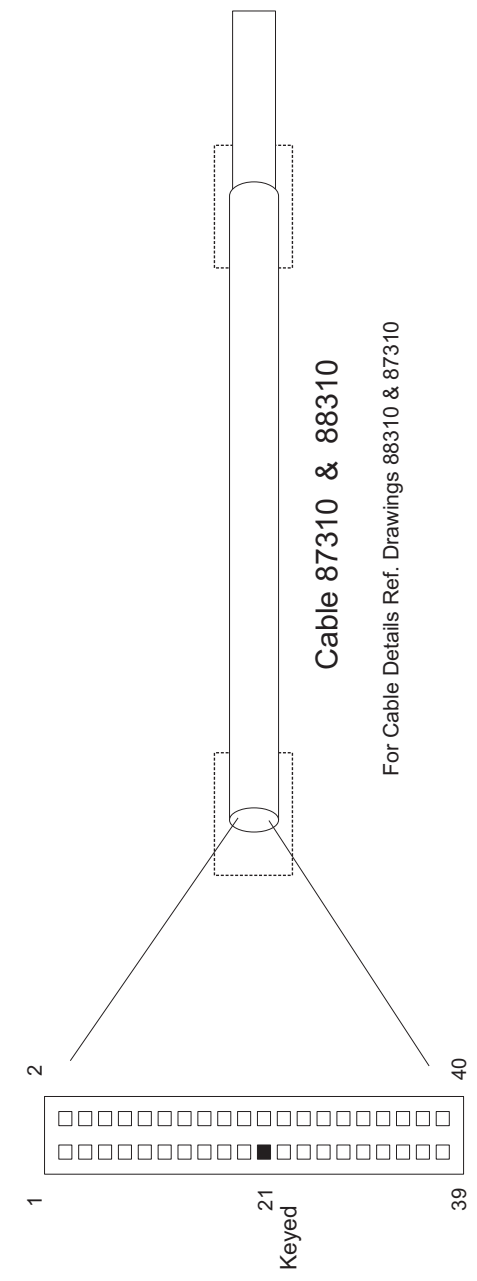
Issue	Mods	Date	2	Redrawn	30/09/97	4	Noz-F changed to Light Blue from White/Blue	22/08/00	6	Earth Braid instructions/note added	29/03/05
1	First Issue	Draft	3	Added Colour Option	04/09/99	5	Numbers Corrected	10/09/03	7		

Mk 1 Control Logic Cable Cable to Plug Connections				Mk 1 Control Logic Cable Cable to PCB Connections			
Pin	Signal	Colour		Pin	Signal	Colour	
1	GND	WHITE/ORANGE (SPARE)		2	RXDB	-	
3	GND	-		4	GND	GREEN	
5	VDD	-		6	AC CONT	-	
7	VDD	-		8	AC CONT	ORANGE/BROWN	
9	VDD	-		10	AC CONT	BLACK	
11	VDD	RED		12	AC CONT	ORANGE/GREEN	
13	NOZ-1	WHITE/BLUE		14	TOTE-3	-	
15	NOZ-2	GREY/ORANGE		16	TOTE-2	-	
17	NOZ-3	WHITE/GREEN		18	TOTE-1	-	
19	NOZ-F	YELLOW		20	NOZ-R	PURPLE	
21	KEY	-		22	AIR-1	BROWN/BLUE	
23	AIR-3	GREEN/BROWN		24	AIR-2	WHITE	
25	GND	-		26	ENC-F3	GREEN/BLUE	
27	N/C	GREY/BLUE		28	ENC-F2	GREY	
29	ENC-RB	GREY/GREEN		30	ENC-F1	ORANGE/BLUE	
31	ENC-RA	ORANGE		32	ENC-R3	BLUE	
33	ENC-FB	WHITE/BROWN (or PINK)		34	ENC-R2	WHITE/BLACK (or CREAM)	
35	ENC-FA	BROWN		36	ENC-R1	GREY/BROWN (or L-BLUE)	
37	GND	-		38	GND	-	
39	+ 5v	-		40	+ 5v	-	

Mk 11 Control Logic Cable. Cable to Plug Connections				Mk 11 Control Logic Cable Cable to PCB Connections			
Pin	Signal	Colour		Pin	Signal	Colour	
1	GND	-		2	RXDB	-	
3	GND	-		4	GND	DARK BLUE	
5	VDD	-		6	AC CONT	-	
7	VDD	-		8	AC CONT	DARK BLUE/WHITE	
9	VDD	-		10	AC CONT	D.GREEN/WHITE	
11	VDD	DARK GREEN		12	AC CONT	PINK/BLACK	
13	NOZ-1	PINK		14	TOTE-3	-	
15	NOZ-2	GREY		16	TOTE-2	-	
17	NOZ-3	PURPLE		18	TOTE-1	-	
19	NOZ-F	LIGHT/BLUE		20	NOZ-R	GREY/BLACK	
21	KEY	-		22	AIR-1	PURPLE/WHITE	
23	AIR-3	LIGHT GREEN		24	AIR-2	L.BLUE/BLACK	
25	GND	-		26	ENC-F3	L.GREEN/BLACK	
27	N/C	YELLOW		28	ENC-F2	YELLOW/BLACK	
29	ENC-RB	ORANGE		30	ENC-F1	ORANGE/BLACK	
31	ENC-RA	RED		32	ENC-R3	WHITE/RED	
33	ENC-FB	BROWN		34	ENC-R2	BROWN/WHITE	
35	ENC-FA	BLACK		36	ENC-R1	BLACK/WHITE	
37	GND	-		38	GND	-	
39	+ 5v	-		40	+ 5v	-	

Mk 111 Control Logic Cable. Cable to Plug Connections				Mk 111 Control Logic Cable Cable to PCB Connections			
Pin	Signal	Colour		Pin	Signal	Colour	
1	GND	-		2	RXDB	-	
3	GND	-		4	GND	DARK BLUE	
5	VDD	-		6	AC CONT	-	
7	VDD	-		8	AC CONT	DARK BLUE/BLACK	
9	VDD	-		10	AC CONT	DARK BLUE/GREEN	
11	VDD	DARK GREEN		12	AC CONT	RED/BLACK	
13	NOZ-1	PINK		14	TOTE-3	-	
15	NOZ-2	GREY		16	TOTE-2	-	
17	NOZ-3	PURPLE		18	TOTE-1	-	
19	NOZ-F	WHITE/BLUE		20	NOZ-R	GREY/BLUE	
21	KEY	-		22	AIR-1	RED.TAN	
23	AIR-3	YELLOW/LIGHT GREEN		24	AIR-2	RED/DARK BLUE	
25	GND	Earth Braided (Black Heatshrink)		26	ENC-F3	YELLOW/DARK GREEN or Yellow/Blue	
27	N/C	YELLOW		28	ENC-F2	YELLOW/RED	
29	ENC-RB	ORANGE		30	ENC-F1	ORANGE/BLUE	
31	ENC-RA	RED		32	ENC-R3	WHITE/RED	
33	ENC-FB	BROWN		34	ENC-R2	TAN	
35	ENC-FA	BLACK		36	ENC-R1	WHITE	
37	GND	-		38	GND	-	
39	+ 5v	-		40	+ 5v	-	

*Pin 25
Note Cable Assys from May 2005 will have this option fitted (Shielded Wire Grounded)



file @ GME h:/mydrawdt/corel/draw/87789-1.cdr (based on drg/part 88310)

This Drawing Remains the Property of PEC Fuel Pumps Ltd & is not to be Copied Without Written Permission	Date ©	30/09/97	All Unspecified Dimensions in MM	PEC Fuel Pumps Ltd	Marton NZ	Part Name	Control Logic Box Connections	
	Scale	N/A						
	Drawn	GME						
	Checked							
	Unspecified Tolerance	N/A						
Material Specif'n.	See Above	Drg. Number	87789/1	Issue	06			