

Issue	Mods	Date	2		3	
1	First Issue	03/07/08	4		5	
6			7		8	

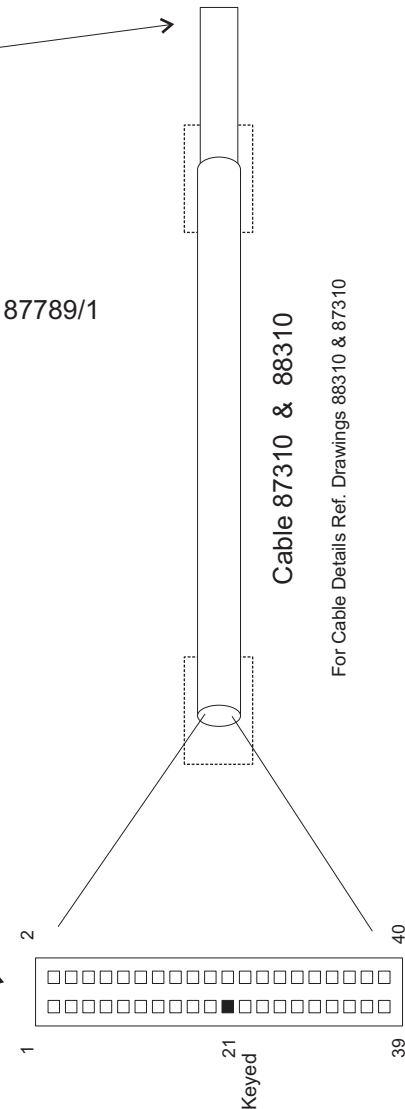
Mk 111 Control Logic Cable Cable to PCB Connections

Colour Position	Colour Position
WHITE/BLUE NOZ-F	PURPLE NOZ-3
GREY/BLUE NOZ-R	GREY NOZ-2
YELLOW N/C	PINK NOZ-1
RED/BLACK AC-3	RED/TAN AIR-1
D.BLUE/GREEN AC-2	RED/D.BLUE AIR-2
D.BLUE/BLACK AC-1	YELLOW/L.GREEN AIR-3
YELLOW/D.GREEN ENCF-3 (or Yellow/Blue)	D.GREEN VDD
YELLOW/RED ENCF-2	BLACK F_A
ORANGE/BLUE ENCF-1	BROWN F_B
RED/WHITE ENCR-3	RED R_A
TAN ENCR-2	ORANGE R_B
WHITE ENCR-1	D.BLUE GND

NB Cut off RED/DARK GREEN Wire

Note:
This lay out reflects the present/latest Cable Colour coding arrangement.
For earlier version please refer to Drawing # 87789/1

*Pin 25
Note Cable Assys from May 2005 will have this option fitted (Shielded Wire Grounded)




For Cable Details Ref. Drawings 88310 & 87310

Mk 111 Control Logic Cable. Cable to Plug Connections

Pin Signal Colour	Pin Signal Colour
1 GND -	2 RXDB -
3 GND -	4 GND DARK BLUE
5 VDD -	6 AC CONT -
7 VDD -	8 AC CONT DARK BLUE/BLACK
9 VDD -	10 AC CONT DARK BLUE/GREEN
11 VDD DARK GREEN	12 AC CONT RED/BLACK
13 NOZ-1 PINK	14 TOTE-3 -
15 NOZ-2 GREY	16 TOTE-2 -
17 NOZ-3 PURPLE	18 TOTE-1 -
19 NOZ-F WHITE/BLUE	20 NOZ-R GREY/BLUE
21 KEY -	22 AIR-1 RED.TAN
23 AIR-3 YELLOW/LIGHT GREEN	24 AIR-2 RED/DARK BLUE
* 25 GND Earth Braided (Black Heatshrink)	26 ENC-F3 YELLOW/DARK GREEN or Yellow/Blue
27 N/C YELLOW	28 ENC-F2 YELLOW/RED
29 ENC-RB ORANGE	30 ENC-F1 ORANGE/BLUE
31 ENC-RA RED	32 ENC-R3 WHITE/RED
33 ENC-FB BROWN	34 ENC-R2 TAN
35 ENC-FA BLACK	36 ENC-R1 WHITE
37 GND -	38 GND -
39 + 5v -	40 + 5v -

file @ GME h:/mydrawdt/corel/draw/87789.cdr
(based on drg/part 87789/1)

Date 03/07/08	All Unspecified Dimensions in MM This Document Remains the Property of PEC & is Not to be Copied Without Written Permission		Fuel Pumps Ltd Marton	Part Name Control Logic Box Cable Connections	
Scale N/A				Drg. No 87789/2 Issue 01	
Drawn GME		MATERIAL SPECIF'N See Above			
Checked					
Unspecified Tolerance N/A					