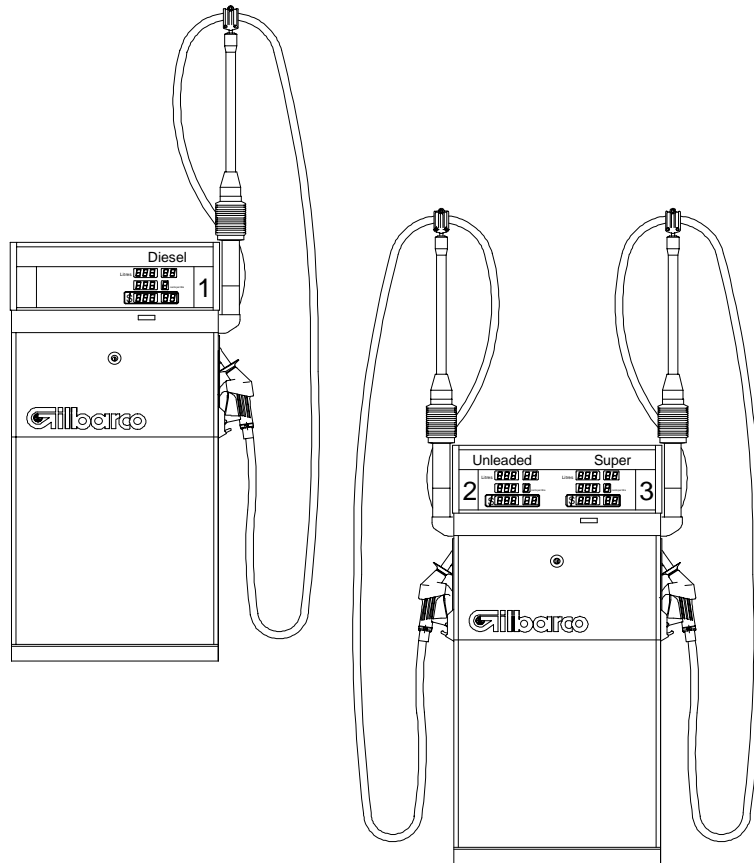


**MK2 & MK3
ELECTROLINE PUMPS
and DISPENSERS
PARTS MANUAL**

DQ98011-006

Issue A



Gilbarco Aust. Ltd.

(Incorporated in N. S. W.)

A.C.N. 000 020 799

This publication has been compiled and written by Gilbarco Aust. Ltd.

Technical Writer – *K. Guerreiro*.

Every effort has been made to supply complete and accurate information at the time of publication. However, Gilbarco assumes no responsibility for its use, nor for any patents or other rights of third parties which would result.

Copyright © 1995

Gilbarco Aust. Ltd.
A.C.N. 000 020 799
12-38 Talavera Rd., North Ryde. N.S.W. 2113

World rights reserved. No part of this publication may be stored in a retrieval system, transmitted, or reproduced in any way, including but not limited to photocopy, photograph, magnetic or other record, without the prior agreement and written permission of Gilbarco Aust. Ltd.

REVISION RECORD

Parts Manual - Electroline MK2 & MK3
DQ98011-006

DATE	EAA	DESCRIPTION	ISSUE
3-3-95	---	Parts manual released at issue Y1, to Engineering for approval.	Y1
7-5-95	13084	Manual released at issue 'A' to production and services.	A

THIS PAGE INTENTIONALLY LEFT BLANK

CONTENTS

ELECTROLINE MK2 & MK3

MODEL NUMBER CLARIFICATION	3
PANELS, COVERS AND DIALS	5
PANELS AND ACCESSORIES BIG HEAD	7
MAIN FRAME ASSEMBLY - MK2 & MK3	9
CDM FRAME ASSEMBLY - MK2 & MK3	11
C.D. MODULE ASSEMBLY	13
PRESET ASSEMBLY	15
LIGHTS AND CABLES - C.D. MODULE.	17
UPPER MODULE ASSEMBLY	19
ROUGH PULSER	21
TOTALISER ASSEMBLY	23
HYDRAULIC MODULE	
MK2 PETROL PUMP, LO FLOW	25
MK3 PETROL OR DISTILLATE PUMP	27
MK3 SINGLE PRODUCT DUAL PUMP LO FLOW	29
MK3 PETROL OR DISTILLATE DISPENSER HI FLOW & LO FLOW	31
JUNCTION BOX ASSEMBLY	
MK2, MK3, PSET, NON PSET, - PUMP	33
MK3 DISPENSER VERSION - TIME DELAY	35
MK3, SINGLE PROD. DUAL PUMP VERSIONS - MOTOR CONTROL	37
PUMP / AIR SEPARATOR UNIT	
MK2 VANE PUMP	39-41
MK3 GEROTOR VERSION	43-45
AIR SEPARATOR SUMP	
T257AM	47
FLOW CONTROL VALVE	
MK2 VERSION , PRESET & NON PRESET PUMPS	49
MK3 EARLY VERSION, PRESET & NON PRESET PETROL PUMPS	51
MK3 PRESET PUMPS ONLY (GOYEN VERSION)	53
MK3 NON PRESET PUMPS ONLY	55
MK3 PRESET & NON PRESET DISPENSER & SINGLE PROD. DUAL PUMPS	57
VALVE DK03483 SERIES	59
NOZZLE BOOT & SWITCH LINKAGES	61
HOSE DETAILS	61
CABLES	63

MODEL NUMBER CLARIFICATION

NOTE : - This manual includes items for **MK2 & MK3** Electroline Pumps and Dispensers.

Refer to the table below for model number variations.

MK1 versions are not covered in this manual. Refer to Manual DQ98011-005 for details.

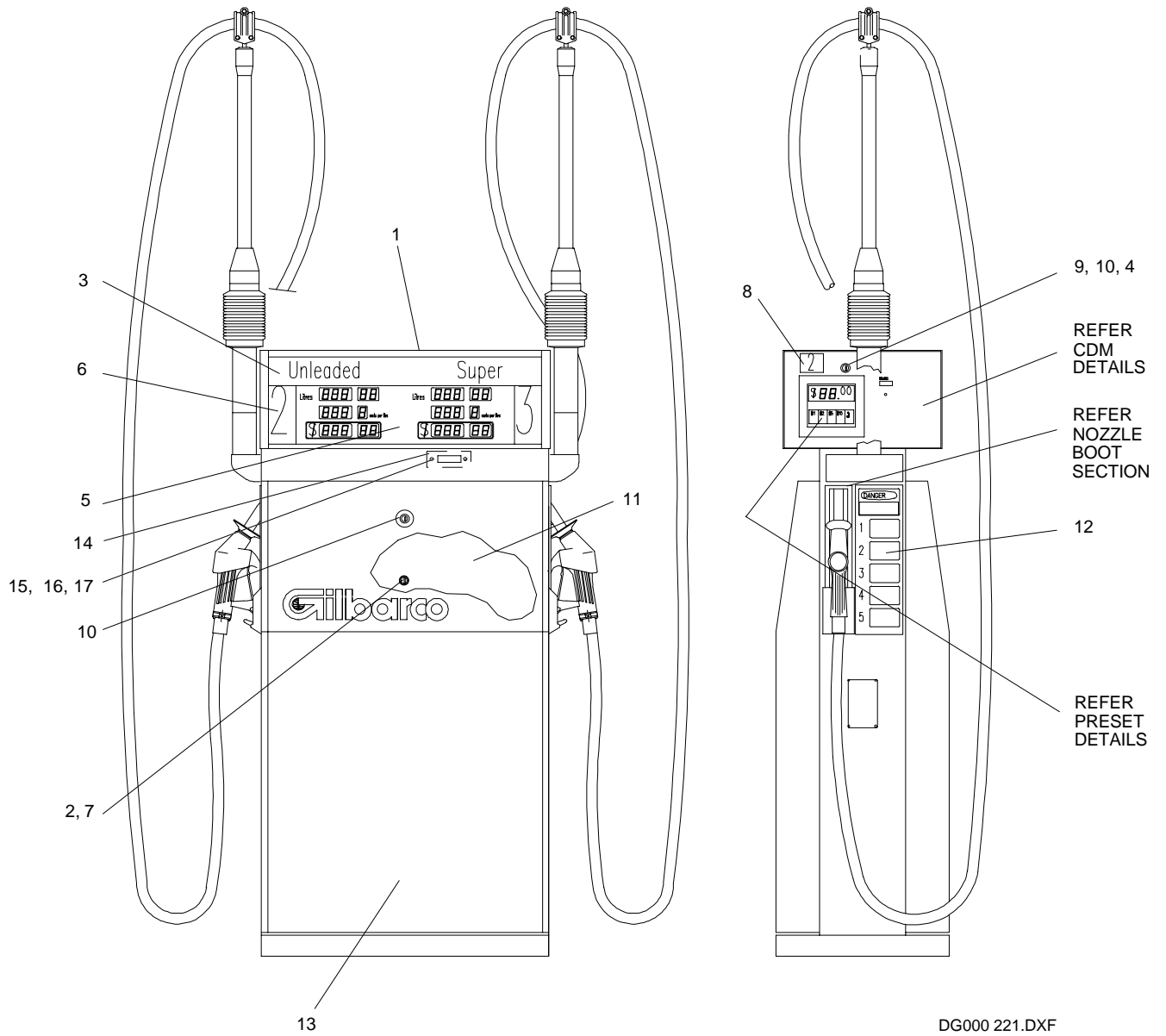
T095 SERIES - SINGLE LOW FLOW MODELS				
MK2	T095A	Single pump with preset	PETROL	LO-FLOW
	T095B	Single pump without preset	PETROL	LO-FLOW
	T096A	Dual pump with preset	PETROL	LO-FLOW
	T096B	Dual pump without preset	PETROL	LO-FLOW
MK3	T095AP	Single pump with preset	PETROL	LO-FLOW
	T095BP	Single pump without preset	PETROL	LO-FLOW
	T095CP	Single pump with preset	DISTILLATE	LO-FLOW
	T095DP	Single pump without preset	DISTILLATE	LO-FLOW
	T095AD	Single dispenser with preset	PETROL OR DIST	LO-FLOW
	T095BD	Single dispenser without preset	PETROL OR DIST	LO-FLOW
T096 SERIES - DUAL LOW FLOW MODELS				
MK3	T096AP	Dual pump with preset	PETROL	LO-FLOW
	T096BP	Dual pump without preset	PETROL	LO-FLOW
	T096CP	Dual pump with preset	DISTILLATE	LO-FLOW
	T096DP	Dual pump without preset	DISTILLATE	LO-FLOW
	T096EP	Dual single product pump with preset	PETROL	LO-FLOW
	T096FP	Dual single product pump without preset	PETROL	LO-FLOW
	T096GP	Dual single product pump with preset	DISTILLATE	LO-FLOW
	T096HP	Dual single product pump without preset	DISTILLATE	LO-FLOW
	T096JP	Dual pump with preset	PETROL & DIST	LO-FLOW
	T096KP	Dual pump without preset	PETROL & DIST	LO-FLOW
	T096AD	Dual dispenser with preset	PETROL OR DIST	LO-FLOW
	T096BD	Dual dispenser without preset	PETROL OR DIST	LO-FLOW
	T097 SERIES SINGLE - HIGH FLOW MODELS			
MK3	T097AP	Single pump with preset	DISTILLATE	HI-FLOW
	T097BP	Single pump without preset	DISTILLATE	HI-FLOW
	T097AD	Single dispenser with preset	PETROL OR DIST	HI-FLOW
	T097BD	Single dispenser without preset	PETROL OR DIST	HI-FLOW
T098 SERIES DUAL HIGH FLOW MODELS				
MK3	T098CP	Dual pump with preset	DISTILLATE	HI-FLOW
	T098DP	Dual pump without preset	DISTILLATE	HI-FLOW
	T098EP	Dual pump with preset	DISTILLATE	HI/LO-FLOW
	T098FP	Dual pump without preset	DISTILLATE	HI/LO-FLOW
	T098JP	Dual pump with preset	PETROL & DIST	HI/LO-FLOW
	T098KP	Dual pump without preset	PETROL & DIST	HI/LO-FLOW
	T098AD	Dual dispenser with preset	PETROL OR DIST	HI-FLOW
	T098BD	Dual dispenser without preset	PETROL OR DIST	HI-FLOW
	T098ED	Dual dispenser with preset	PETROL OR DIST	HI/LO-FLOW
	T098FD	Dual dispenser without preset	PETROL OR DIST	HI/LO-FLOW

MODEL NUMBER CLARIFICATION CONTINUED

NOTE : - This manual includes items for **MK2 & MK3** Electroline Pumps and Dispensers .
 Refer to the table on the previous page for **MK2 & MK3** model number variations.
MK1 versions are listed in the table below but are **not** covered in this manual.
 Refer to Manual **DQ98011-005** for **MK1** details.

ELECTROLINE - UNIVERSAL					
MK1	T090A	Single pump with preset	PETROL	LO-FLOW	
	T090B	Single pump without preset	PETROL	LO-FLOW	
	T090E	Single pump with preset (Hydraulic slow down)	PETROL	LO-FLOW	
	T090S	Single pump with preset	DISTILLATE	LO-FLOW	
	T090T	Single pump without preset	DISTILLATE	LO-FLOW	
	T091A	Dual pump with preset	PETROL	LO-FLOW	
	T091B	Dual pump without preset	PETROL	LO-FLOW	
	T091E	Dual pump with preset (Hydraulic slow down)	PETROL	LO-FLOW	
	T092A	Single pump with preset	DISTILLATE	HI-FLOW	
	T092B	Single pump without preset	DISTILLATE	HI-FLOW	
	ELECTROLINE - STANDALONE				
	MK1	T090N	Single pump with preset	PETROL	LO-FLOW
T090P		Single pump without preset	PETROL	LO-FLOW	
T090Q		Single pump with preset	DISTILLATE	LO-FLOW	
T090R		Single pump without preset	DISTILLATE	LO-FLOW	
T091M		Dual pump with preset	PETROL	LO-FLOW	
T091N		Dual pump without preset	PETROL	LO-FLOW	
T092E		Single pump with preset	DISTILLATE	LO-FLOW	
T092F		Single pump without preset	DISTILLATE	LO-FLOW	

PANELS, COVERS, DIALS AND ACCESSORIES

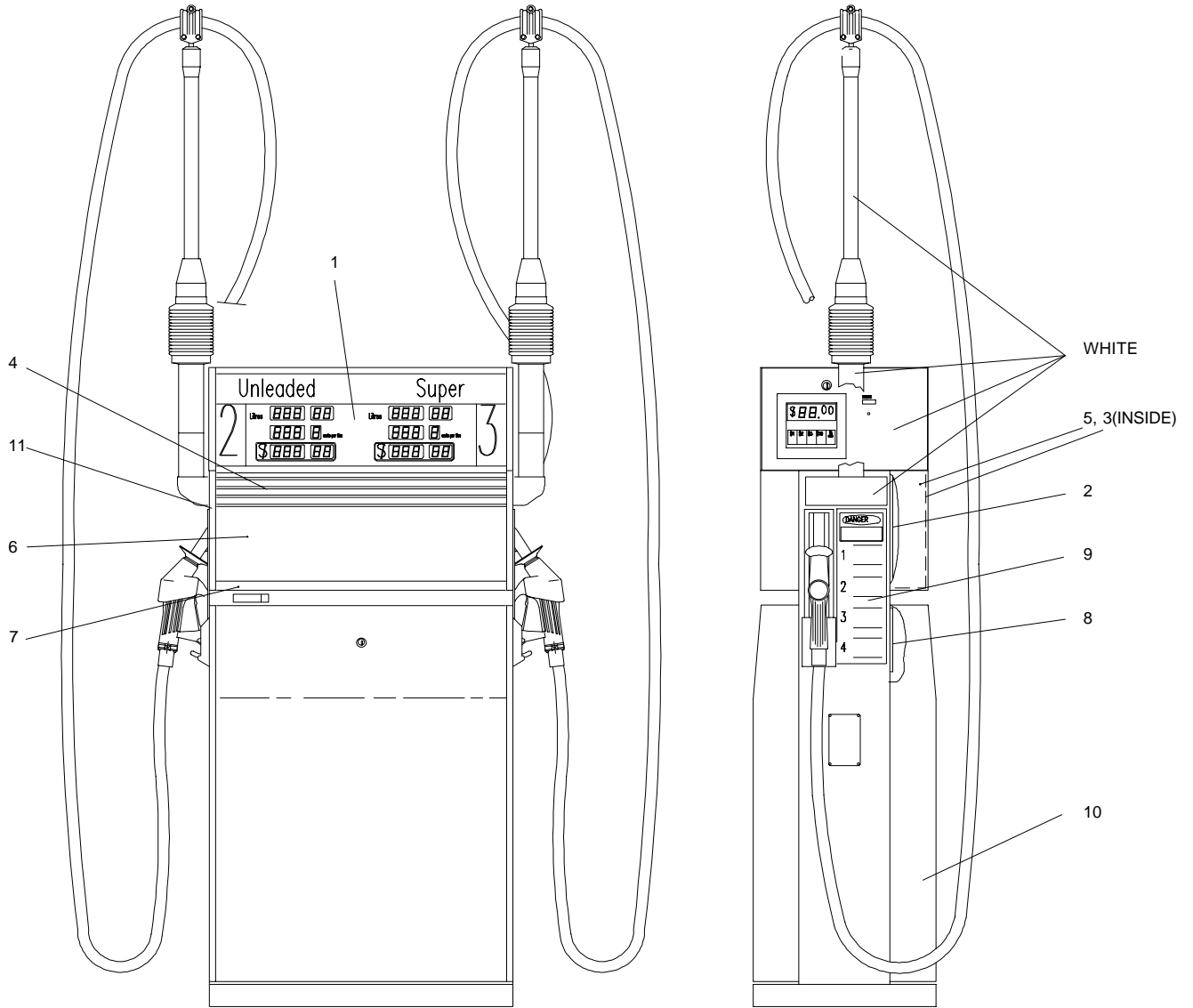


PANELS COVERS AND DIALS

CAUTION - DO NOT use item number for parts ordering - use only the correct part number and description.

ITEM	Qty req'd for Model				PART NUMBER	DESCRIPTION
	SINGLE	DUAL				
1	AR	AR			DR03126	Top cover (White)
1	AR	AR			DR06023	Top cover sheath (Stainles steel)
2	3	3			DK30531	Lead seal
3	AR	AR			DK01252-005	Brand panel blank - undressed
4	AR	AR			DK03093	Cam & stud.
5	-	2			DT02755-001	Dial - undressed
5	1	-			DT02755-002	Dial - undressed (rear)
5	1	-			DT02755-003	Dial - undressed (front)
6	2	4			DQ59800-101	Magnetic number (last two digits
-	-	-			to -124	of dash number denotes number)
6	2	4			DQ59819-001	Magnetic No. BP Horizon (last two
-	-	-			to -024	of dash number denotes number)
6	2	4			DQ59800-401	Magnetic No. MOBIL (last two digits
-	-	-			to -419	of dash number denotes number)
7	2	2			DQ23100-507	Screw Csk Head M6 x 20
8	1	2			DQ59800-301	Pressure sensitive number (last two
-	-	-			to -324	digits of dash number denotes number)
9	2	2			DQ41001-014	O-ring
10	4	4			DQ40551-009	Lock (includes lock cam)
11	1	2			DR02745-002	Sealing plate
11	1	-			DR02745-001	Sealing plate
12	AR	AR			DQ59201-201	Decal (pumps with preset)
12	AR	AR			DQ59201-301	Decal (pumps without preset)
12	AR	AR			DQ59201-202	Decal (pumps with preset) MOBIL
12	AR	AR			DQ59201-302	Decal (pumps without preset) MOBIL
13	AR	AR			DR02725-001	Lower panel assy - undressed (white)
13	AR	AR			DR02725-002	Lower panel assy - undressed (s/steel)
14	2	2			DN01691-004	Tote window screened
15	4	4			DQ23100-399	Screw CSK M4 x 14
16	4	4			DQ41505-010	External tooth lock washer
17	4	4			DQ38050-012	Nut M4

PANELS & ACCESSORIES - BIG HEAD



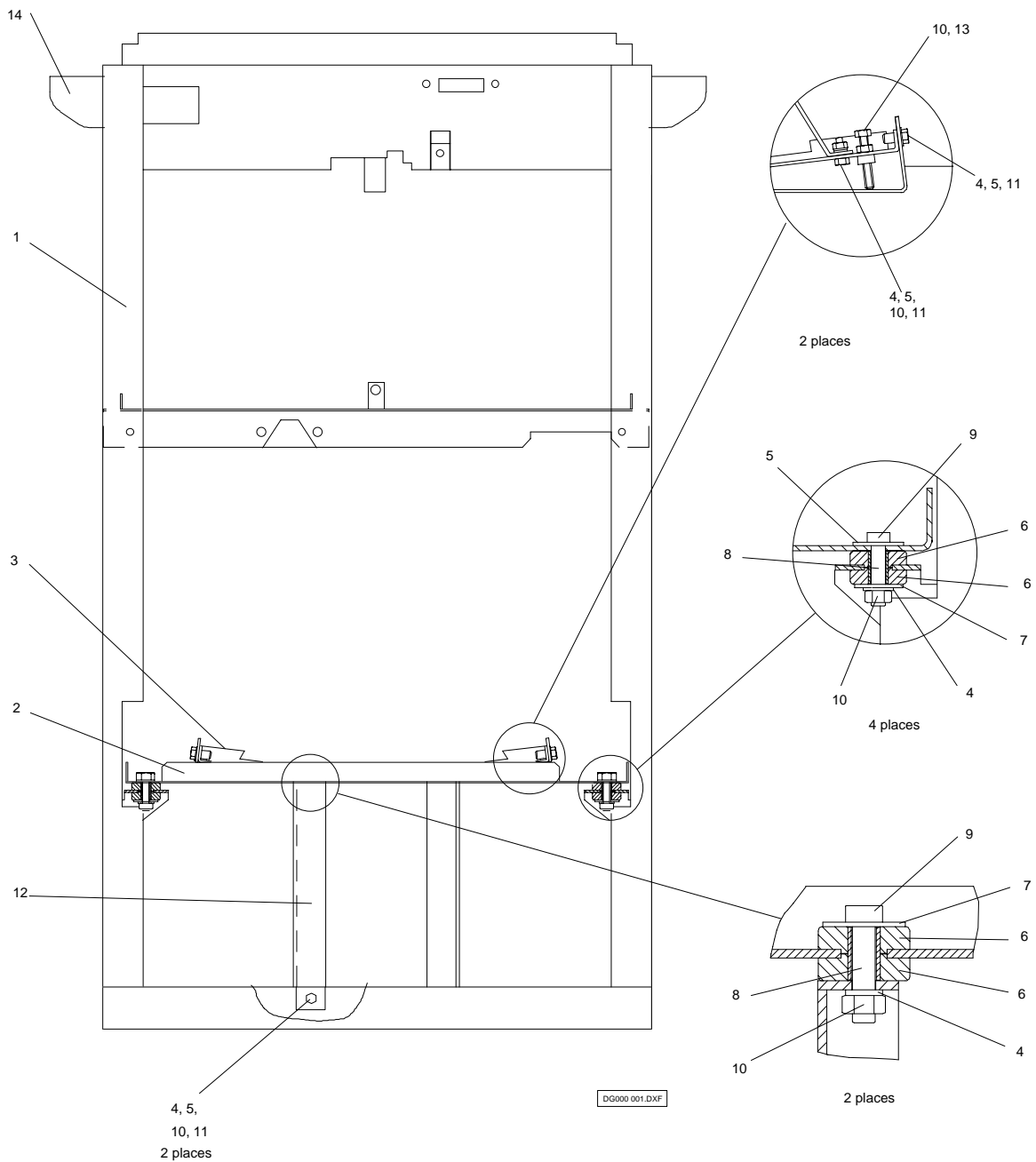
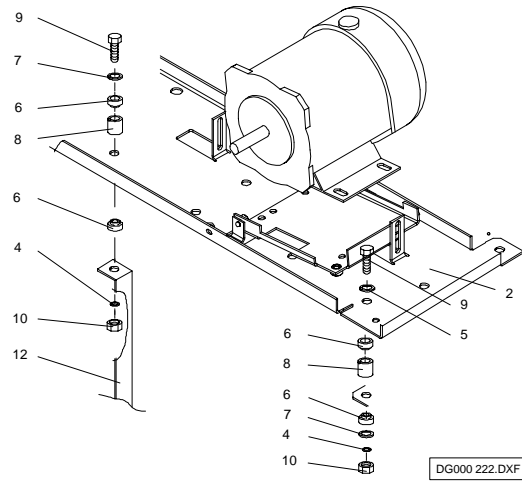
DG000 235.DXF

PANELS & ACCESSORIES - BIG HEAD

CAUTION - DO NOT use item number for parts ordering - use only the correct part number and description.

ITEM	Qty req'd for Model			PART NUMBER	DESCRIPTION
	DUAL	SINGLE			
1	-	1		DT02755-026	Dial (Single rear)
1	-	1		DT02755-025	Dial (Single front)
1	2	-		DT02755-027	Dial (Dual)
2	2	2		DR05088-001	Sheath inner
3	2	2		DT05102	Side plate assembly
4	2	2		DT05104	Louvre assembly
5	2	2		DR05113	Side cover sheath
6	2	2		DR05114	Lower brand panel (not dressed)
7	2	2		DR05112	Bottom cover
8	-	-		DT05099-001	Sealing plate MK1 Front
8	-	-		DT05099-002	Sealing plate MK1 Rear Single Only
8	2	2		DT05095	Sealing plate MK2
9	2	1		DQ59206-001	Decal operating instructions
10	2	2		DR05094-001	Lower panel assy (White not dressed)
10	2	2		DR05094-002	Lower panel assy (S/steel not dressed)
11	2	1		DK05182-001	Sticker side sheath

MAIN FRAME ASSEMBLY - MK2 & MK3



MAIN FRAME ASSEMBLY MK2 & MK3

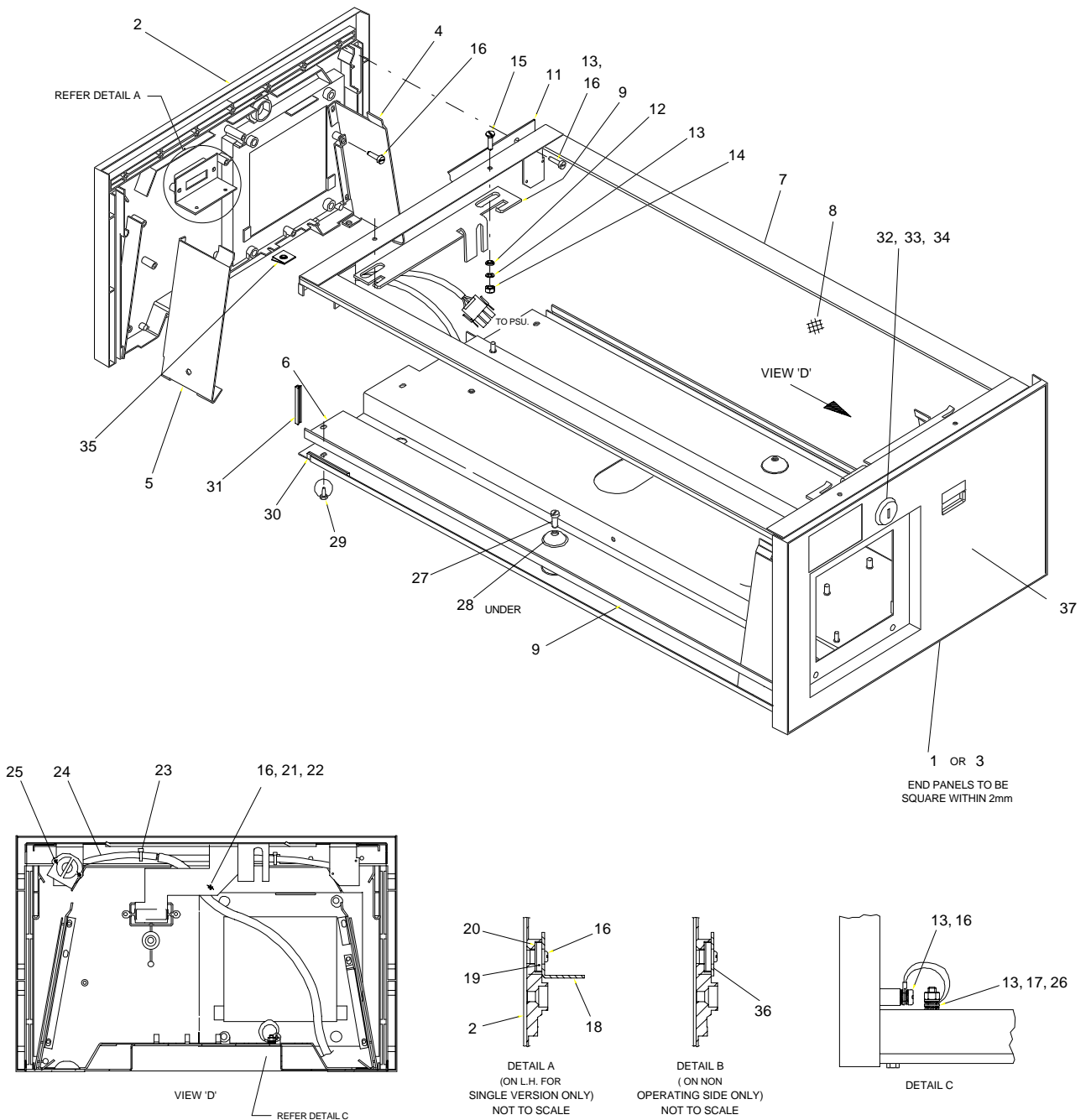
CAUTION - DO NOT use item number for parts ordering - use only the correct part number and description.

ITEM	Qty req'd for Model			PART NUMBER	DESCRIPTION
	MK2	MK3			
1	1	1		DT04735	Main frame assembly one piece
2	1	-		DT04742	Shelf - pump and motor MK2
2	-	1		DT06530	Shelf - pump and motor MK3
3	2	2		DT04743	Motor support assembly
4	12	12		DQ41508-005	Washer spring M8
5	10	10		DQ41501-015	Washer flat M8
6	12	12		T160-0125	Shock mount
7	6	6		T020-0199	Washer special
8	6	6		T022-0042	Spacer
9	6	6		DQ23102-583	Screw M8 x 35
10	12	12		DQ38050-017	Nut M8 hex
11	6	6		DQ23102-577	Screw M8 x 20
12	2	2		DR03485-002	Strut - pump support
13	2	2		DQ23102-587	Screw M8 x 50
14	2	2		DN04860-001	Flexmast mount assembly

CDM FRAME DETAILS

DR03127-002 CDM FRAME ASSEMBLY DUAL

DR03127-001 CDM FRAME ASSEMBLY SINGLE



DG000 180.DXF

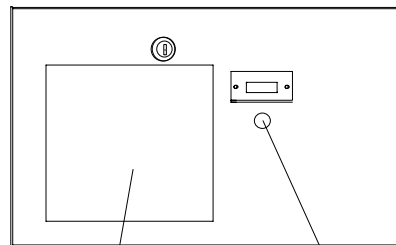
CDM FRAME ASSEMBLY MK2 & MK3

CAUTION - DO NOT use item number for parts ordering - use only the correct part number and description.

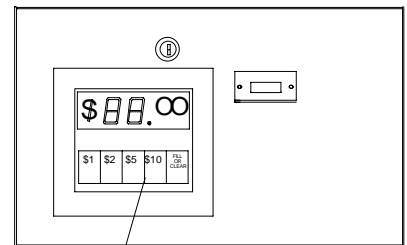
ITEM	Qty req'd for Model			PART NUMBER	DESCRIPTION
	SING.	DUAL			
1	1	-		DT03307-001	Side member
2	1	1		DT03307-002	Side member
3	-	1		DT03307-003	Side member
4	2	2		DN03610-003	Mount dial R.H.
5	2	2		DN03610-004	Mount dial L.H.
6	1	1		DT02729-003	Tray CDM weld assy
7	1	1		DT02730	Frame cdm top
8	2	2		DK01252-004	Window blank polycarbonate
9	2	2		DN04032	Retainer window
10	2	2		DK03065	Slide Lid locking
11	2	2		DN02742	Gasket
12	4	4		DK03124	Bush
13	22	22		DQ41506-010	Washer M4 external tooth
14	4	4		DQ38050-012	Nut M4 hex
15	4	4		DQ23115-396	Screw CSK hd M4 x 10
16	27	30		DQ23121-198	Screw taptite No.8 x 3/8" pan head
17	2	2		DK02996	Earth strap
18	1	2		DK02893	Bracket tote mount
19	1	2		DK01252-006	Blank window acrylic
20	1	2		DK02743	Gasket window
21	1	2		DK02834	Bush hinge
22	1	2		DN02871	Shutter tote
23	8	8		DQ44500-002	Cable tie nylon light weight
24	1	1		-	Cable assy lighting (see Cable diagram)
25	8	8		DQ23067-104	Screw pan head type 23 No.4 x 1/2."
26	2	2		DQ38051-012	Nut hex brass M4
27	2	2		DK04030	Screw captive
28	2	2		DQ46002-007	Circlip external
29	8	8		DQ23035-199	Screw hex head type 'B' No.8 x 7/16"
30	2	2		DK02885	Seal strip
31	2	2		DK02886	Seal strip
32	2	2		DQ40551-009	Lock panel Gilbarco
33	2	2		DK03093	Cam & stud
34	2	2		DQ41002-014	O-ring
35	8	8		DQ38501-106	Nut speed type 'U' captive No. 8
36	1	-		DK02748-001	Window keep
37	1	-		DR03127-001	CDM Frame assy Single (Includes items 1-36)
37	-	1		DR03127-002	CDM Frame assy Dual (Includes items 1-36)
38					

CD MODULE ASSEMBLY

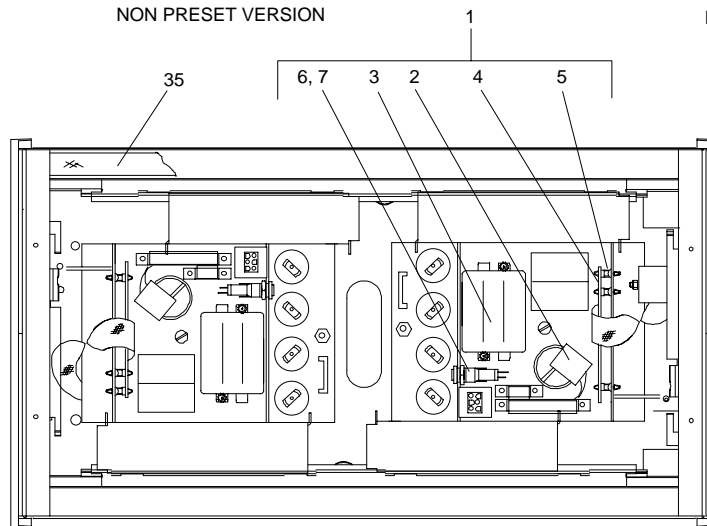
DT02839-003 CDM ASSEMBLY SINGLE PRESET
 DT02839-004 CDM ASSEMBLY SINGLE NON PRESET
 DT02832-005 CDM ASSEMBLY DUAL PRESET
 DT02832-007 CDM ASSEMBLY DUAL NON PRESET



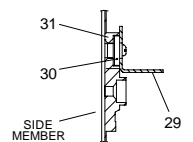
36, 37
 32, 33
 NON PRESET VERSION



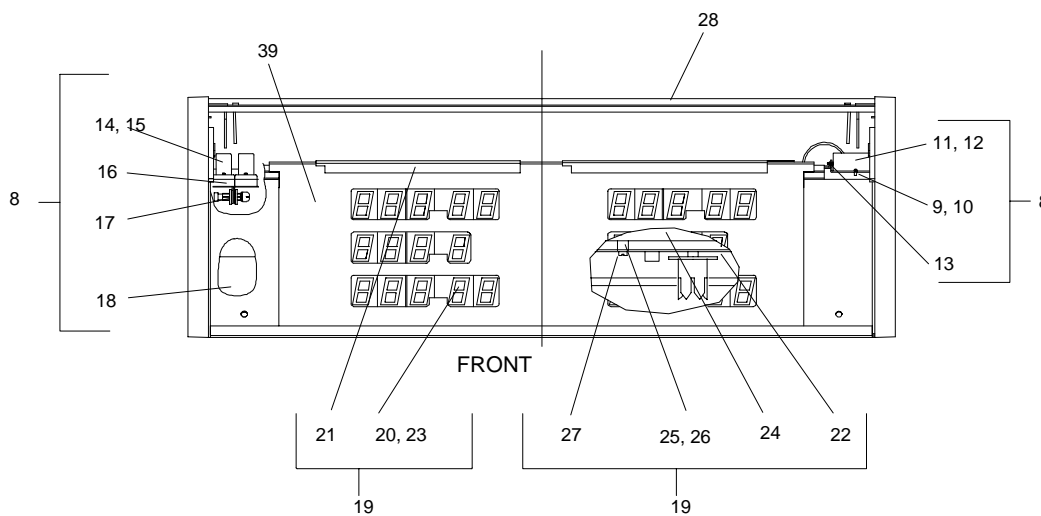
38
 PRESET VERSION



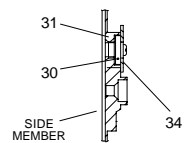
TOP VIEW OF DUAL CDM



DETAIL A
 FOR TOTE MOUNTING
 NOT TO SCALE



FRONT



DETAIL A
 FOR NON OPERATING SIDE
 NOT TO SCALE

DG000 223.DXF

CDM ASSEMBLY

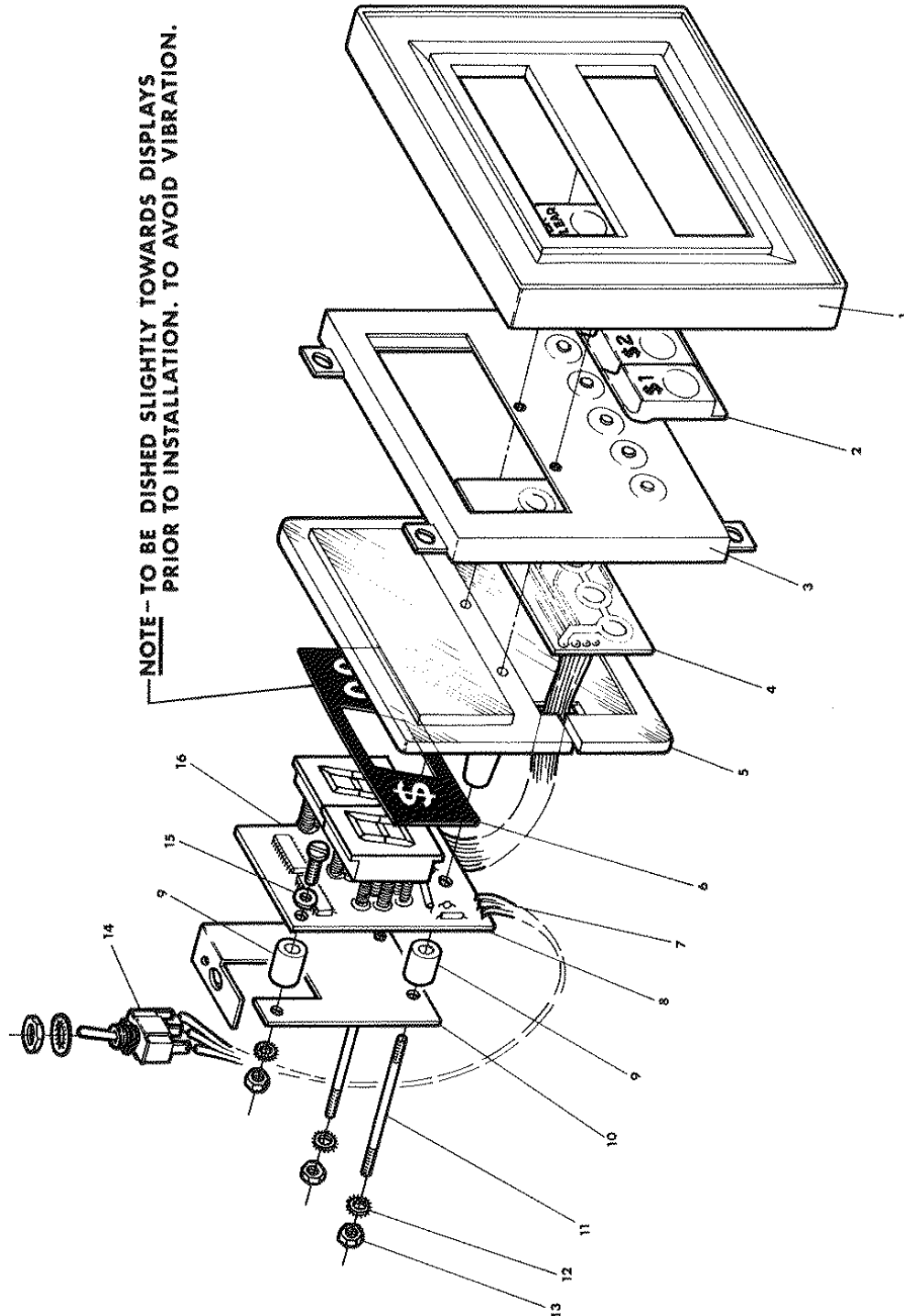
CAUTION - DO NOT use item number for parts ordering - use only the correct part number and description.

ITEM	Qty req'd for Model			PART NUMBER	DESCRIPTION
	SINGLE	DUAL			
1	1	2		DR02764-001	Power Supply Assv
2	1	2		DN02634-002	Module motor control (grey casting)
3	1	1		DQ44200-011	Transformer
4	1	1		DR02879	Power supply PCB assembly
5	3	3		DQ40851-001	Stand-off
6	1	1		DQ44451-005	Fuse holder
7	1	1		DQ44693-004	Fuse 1/4 amp Slo-blow
8	1	1		DR02761-001	Ballast Chassis assy (inc. items x-x)
9	3	3		DQ23045-075	Screw taptite No. 6-32 x 8
10	3	3		DQ41506-009	Washer lock Ext. tooth M3.5
11	1	2		DN02735	Bracket tote
12	1	2		DK02504	Tote assembly
13	1	1		DQ38050-012	Nut hex M4
14	4	4		DQ23045-080	Screw taptite No. 6-32 x 16
15	2	2		T010-0533	Starter
16	2	2		T010-0867	Socket starter
17	1	1		T010-0850	Switch light
18				T010-0941	Ballast
19	1	2		DR02831	Display /Processor assy
20	2	2		DT03616-002	Display PCB assembly
21	2	2		DR02746	Display support
22	1	1		DT03720-002	Processor PCB assy (Inc in item 19)
23	10	10		DQ40851-008	PCB support
24	1	1		DT02732-002	Mount processor PCB
25	5	5		DQ41520-001	Washer crinkle
26	5	5		DQ23101-400	Screw Ch hd M4 x 16
27	5	5		DQ52101-006	Spacer
28	1	-		DR03127-001	Frame assy CDM (Refer sep. section)
28	-	1		DR03127-002	Frame assy CDM (Refer sep. section)
29	1	1		DK02893	Bracket mounting (Inc. in item 28)
30	1	2		DK01252-006	Window acrylic (Inc. in item 28)
31	1	2		DK02743	Gasket window (Inc. in item 28)
32	1	1		DK03609	Rod light switch
33	1	1		DQ41004-019	O-ring
34	AR	AR		DK02748-001	Keep window (Inc. in item 28)
35	AR	AR		DQ15001-006	Strip sponge
36	AR	AR		DN03494	Rubber seal
37	AR	AR		DR02819-002	Blanking cover
38	AR	AR		DR02818	Preset assy standard(Refer separate section)
39	1	-		DT02755-007	Dial Single Front
39	1	-		DT02755-006	Dial Single Rear
39	-	2		DT02755-005	Dial Dual

PRESET ASSEMBLY

DR02818
DR02818-006

PRESET ASSEMBLY STANDARD
PRESET ASSEMBLY MOBIL



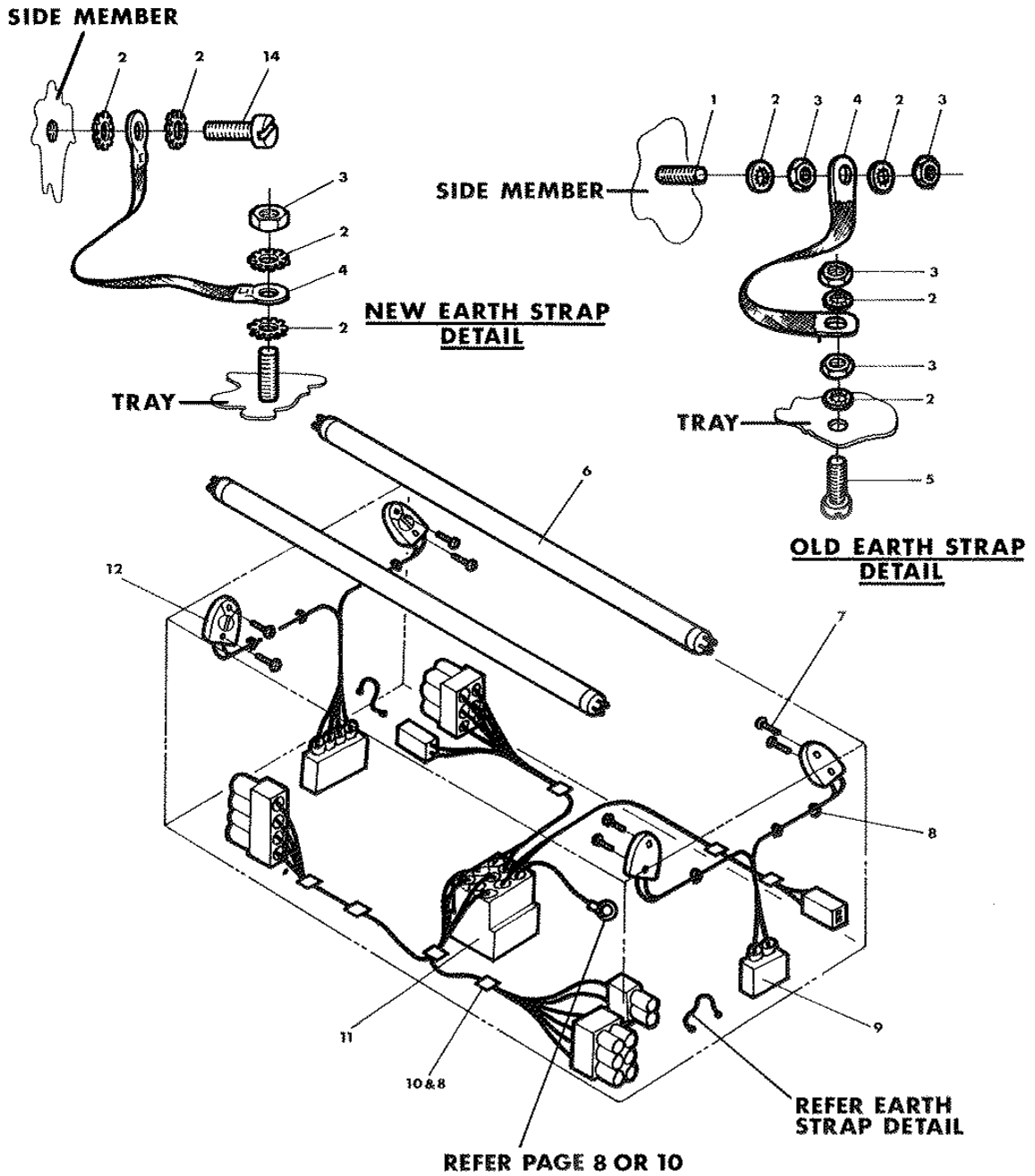
DG000224.TIF

PRESET ASSEMBLY -

CAUTION - DO NOT use item number for parts ordering - use only the correct part number and description.

ITEM	Qty req'd for Model			PART NUMBER	DESCRIPTION
1	1			DT02790-002	Escutcheon (black)
2	1			DN02768-006	Button assy preset - Standard
-	-	-	-	-	(red button with white stamping)
2	1			DN02768-008	Button assy preset - Mobil
-	-	-	-	-	(white button with black stamping)
3	1			DR02774	Preset seal
4	1			DN02697	Touchboard
5	1			DR02775-002	Backing plate
6	1			DK02815	Screen window - Standard
6	1			DK02815-001	Screen window - Mobil
7	110mm			DQ44013-008	Flat cable conductor
8	1			DN03629-002	Preset display PCB assembly
9	3			DQ52101-013	Spacer 10mm long
10	1			DK02904-002	Switch bracket
11	2			DQ50002-005	Stud M3
12	3			DQ41506-008	Washer lock ext. tooth M3
13	3			DQ38050-010	Nut hex M3
14	1			DQ44551-104	Toggle switch
15	1			DQ41514-102	Washer flat nylon
16	1			DQ23101-332	Screw Ch hd M3 x 20

LIGHTS & CABLES C.D. MODULE



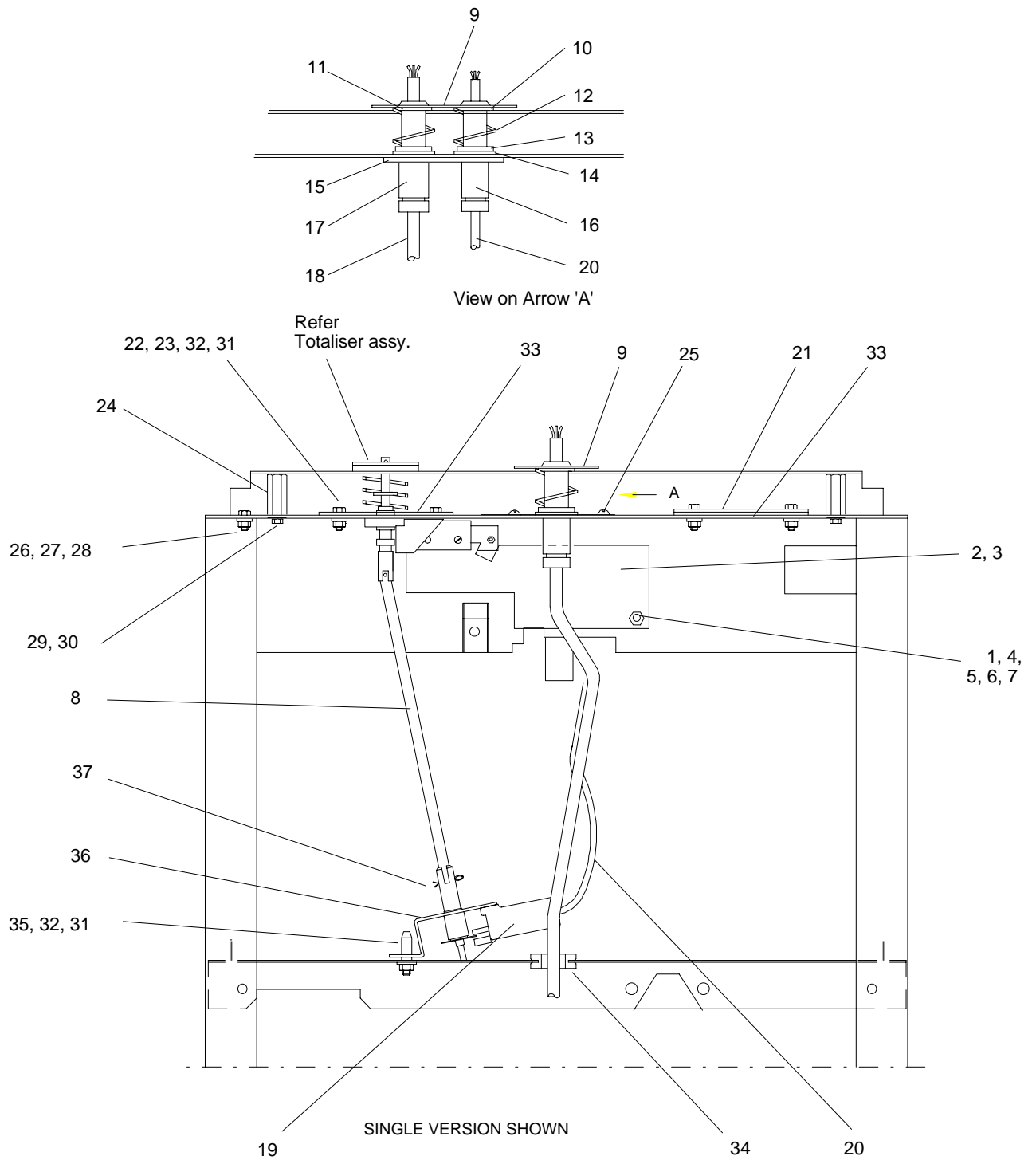
DG000 225.TIF

LIGHTS & CABLES C.D. MODULE

CAUTION - DO NOT use item number for parts ordering - use only the correct part number and description.

ITEM	Qty req'd for Model				PART NUMBER	DESCRIPTION
	SINGL	DUAL				
1	AR	AR			DQ20500-076	Stud metric brass M4
2	8	8			DQ41506-010	Washer lock ext. M4
3	AR	AR			DQ38051-012	Nut hex brass M4
4	2	2			DK02996	Earth strap
5	AR	AR			DQ23105-398	Screw ch hd M4 x 12
6	2	2			DQ44252-173	Flourescent lamp
7	8	8			DQ23067-104	Screw Pan hd # 4 x1/2"
8	AR	AR			DQ44500-002	Tyrap
9	1	1			DN03005-002	Light cable loom assembly
10	7	7			DQ44504-001	Cable saddle
11	1	-			DR02848	CD module loom assembly Single
11	-	1			DR04037	CD module loom assembly Dual
12	1	1			DN03005-001	Light cable loom assembly
13	REF	REF			DR02865	CD module wiring diagram
14	AR	AR			DQ23121-198	Screw Pan hd # 8 x 3/8"

UPPER MODULE ASSEMBLY



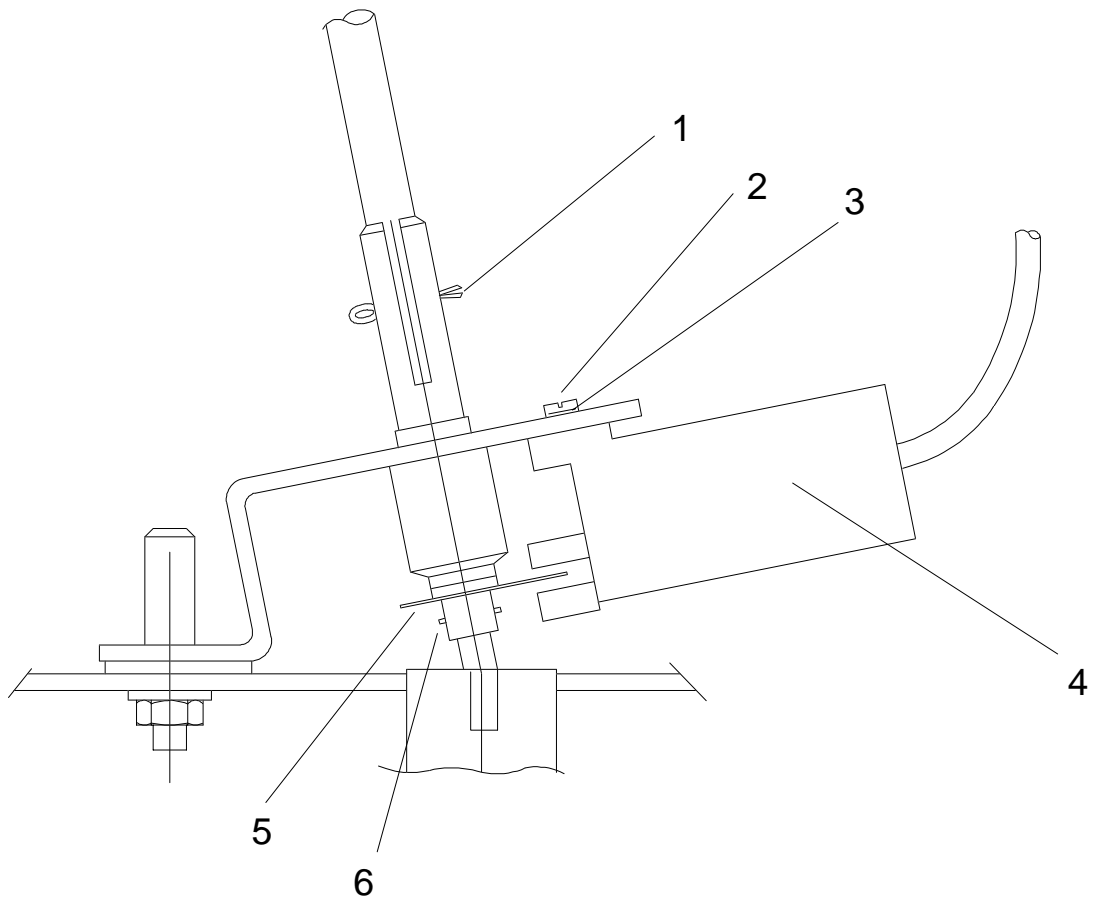
DG000 229.DXF

UPPER MODULE ASSY

CAUTION - DO NOT use item number for parts ordering - use only the correct part number and description.

ITEM	Qty req'd for Model			PART NUMBER	DESCRIPTION
	SING.	DUAL			
1	3	6		DQ23100-399	Screw Csk hd M4 x 14 LG
2	1	2		DN01691-004	Window tote
3	1	2		DN02833	Shutter tote
4	1	2		DK02834	Hinge bush
5	1	2		DQ41501-010	Washer flat M4
6	1	2		DQ41508-002	Washer spring M4
7	3	6		DQ38050-012	Nut hex M4
8	1	2		DK02824-008	Shaft drive assembly
9	1	1		DK03043-001	Closure plate (included in item 20)
10	1	-		DK03058	Grommet (included in item 20)
10	-	1		DK03058-001	Grommet (included in item 20)
11	1	1		DQ40701-010	Grommet (included in item 20)
12	2	2		GB2126X	Spring (included in item 20)
13	2	2		DQ44857-002	Locknut 3/4" conduit (included in item 20)
14	2	2		DQ41506-021	Washer lock 3/4" (included in item 20)
15	1	1		DK03919	Closure plate (included in item 20)
16	1	-		T012-1050D	Gland assembly (included in item 20)
16	-	1		T012-1050F	Gland assembly (included in item 20)
17	1	1		T012-1050C	Gland assembly (included in item 20)
18	1	1		DK02827	240V cable assembly (included in item 20)
18	-	-		DK02827-001	240V cable assembly (included in item 20)
19	1	2		DN05090-001	Vane switch module (included in item 20)
20	1	-		DR05100-006	Cable & gland assy (inc. items 9 to 19)
20	-	1		DR05100-007	Cable & gland assy (inc. items 9 to 19)
21	1	-		DK02829	Plate blanking
22	4	4		DQ23102-505	Screw hex hd M6 x 16 LG
23	4	4		DQ41501-013	Washer flat M6
24	2	2		DK02980	Cup guide
25	2	2		DQ23007-198	Screw pan hd # 8x 7/16"
26	1	2		DK02792	Reset bearing
27	3	4		DQ38050-017	Nut hex M8
28	2	2		DQ41508-005	Washer spring M8
29	2	2		DQ23102-503	Screw set Hex M6 x 12 LG
30	2	2		DQ41506-013	Washer ext tooth M6
31	5	6		DQ38050-015	Nut hex M6
32	5	6		DQ41508-004	Washer spring M6
33	2	2		DK02872	Gasket
34	1	1		DQ40701-006	Grommet
35	1	2		T160-0016	Locating pin
36	1	2		DN03741-001	Rough pulser assy
37	1	1		Z06377	Pin cottter 3/32" diameter x 3/4"

ROUGH PULSER



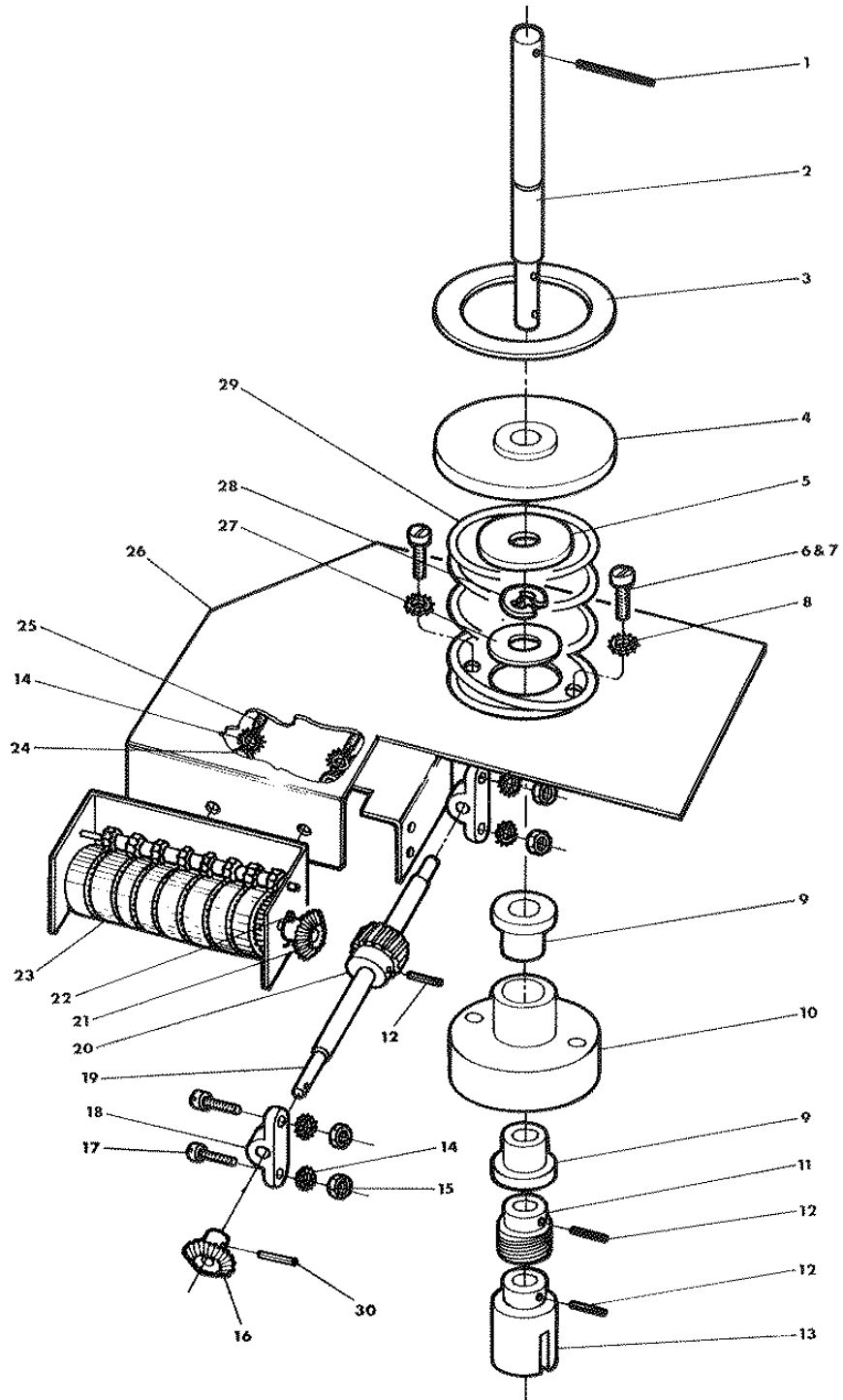
DG000 179.DXF

ROUGH PULSER

CAUTION - DO NOT use item number for parts ordering - use only the correct part number and description.

ITEM	Qty req'd for Model			PART NUMBER	DESCRIPTION
1	1			Z06377	Pin cotter 3/32" diameter x 3/4"
2	2			DQ23117-394	Screw pan head M4 x 8
3	2			DQ41506-010	Washer external tooth M4
4	REF			DR05100-006	Cable assy Single (Inc vane switch)
4	REF			DR05100-007	Cable assy Dual (Inc vane switch)
5	1			DK03732-002	Blade assy
6	1			DQ41600-024	Roll pin 3/32" diameter x 3/4"

TOTALISER ASSEMBLY - DR02803



DG000 226.TIF

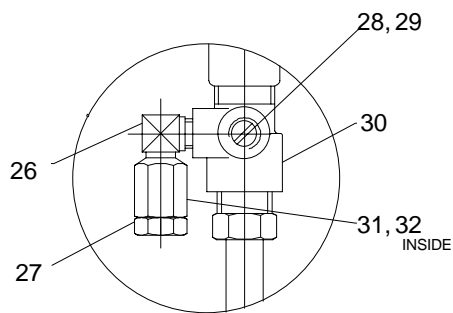
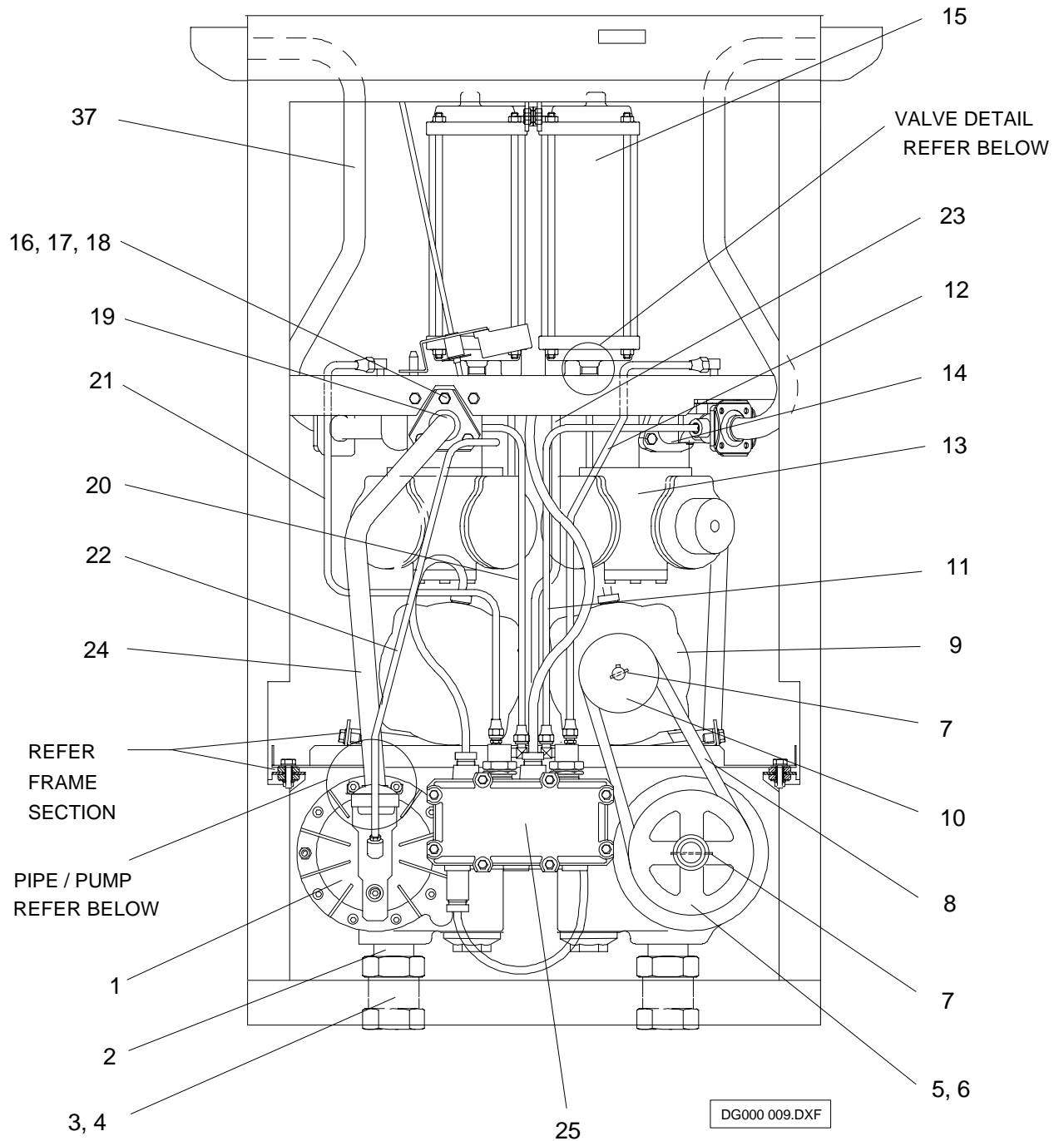
TOTALISER ASSEMBLY - DR02803

CAUTION - DO NOT use item number for parts ordering - use only the correct part number and description.

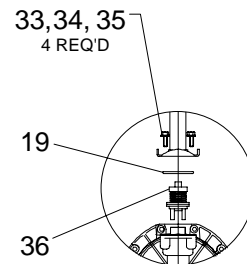
ITEM	Qty req'd for Model			PART NUMBER	DESCRIPTION
1	1			DQ41600-050	Pin roll 1/8" dia x 7/8" LG
2	1			DK02801	Vertical shaft
3	1			DK02876	Gasket
4	1			DK02873-001	Pressure plate
5	1			DK02874	Thrower
6	2			DQ23101-466	Screw Ch Hd M5 x 10
7	AR			DQ18202-002	Loctite 242
8	2			DQ41506-012	Washer lock ext. M5
9	2			DQ43402-102	Journal bearing
10	1			DK02796	Bearing housing
11	1			DN02493-002	Worm gear
12	4			DQ41600-004	Pin roll 1/16" dia x 7/16" LG
13	1			DK02797	Drive dog
14	6			DQ41506-008	Washer lock ext. M3
15	4			DQ38050-010	Nut hex M3
16	2			DK02817	Mitre gear
17	4			DQ23101-326	Screw Ch Hd M3 x 10
18	2			T351-0040	Bearing shaft
19	1			DK02798	Horizontal shaft
20	1			DN02493-003	Gear wheel
21	-			-	Gear (Same as item 16)
22	-			-	Split pin (Same as item 12)
23	1			301-706038	Counter totaliser
24	2			DQ41501-008	Washer flat M3
25	2			DQ23101-322	Screw Ch Hd M3 x 6
26	1			DN02802	Totaliser mount
27	AR			DQ41517-015	Washer flat M8
28	1			DQ46002-003	Circlip
29	1			DK02875	Spring
30	1			DQ41600-002	Pin roll 1/16" dia x 5/16" LG

HYDRAULIC MODULE

- MK2 PETROL PUMP, LOW FLOW



GAS TEST VALVE



PIPE / PUMP DETAIL

DG000 010.DXF
REFERENCE

NOTES : 1) DUAL VERSION SHOWN

part no.	DQ98011-006	part name	PARTS MANUAL - ELECTROLINE	date	MAY '95	issue	A	Page 24 of 64
----------	-------------	-----------	----------------------------	------	---------	-------	---	---------------

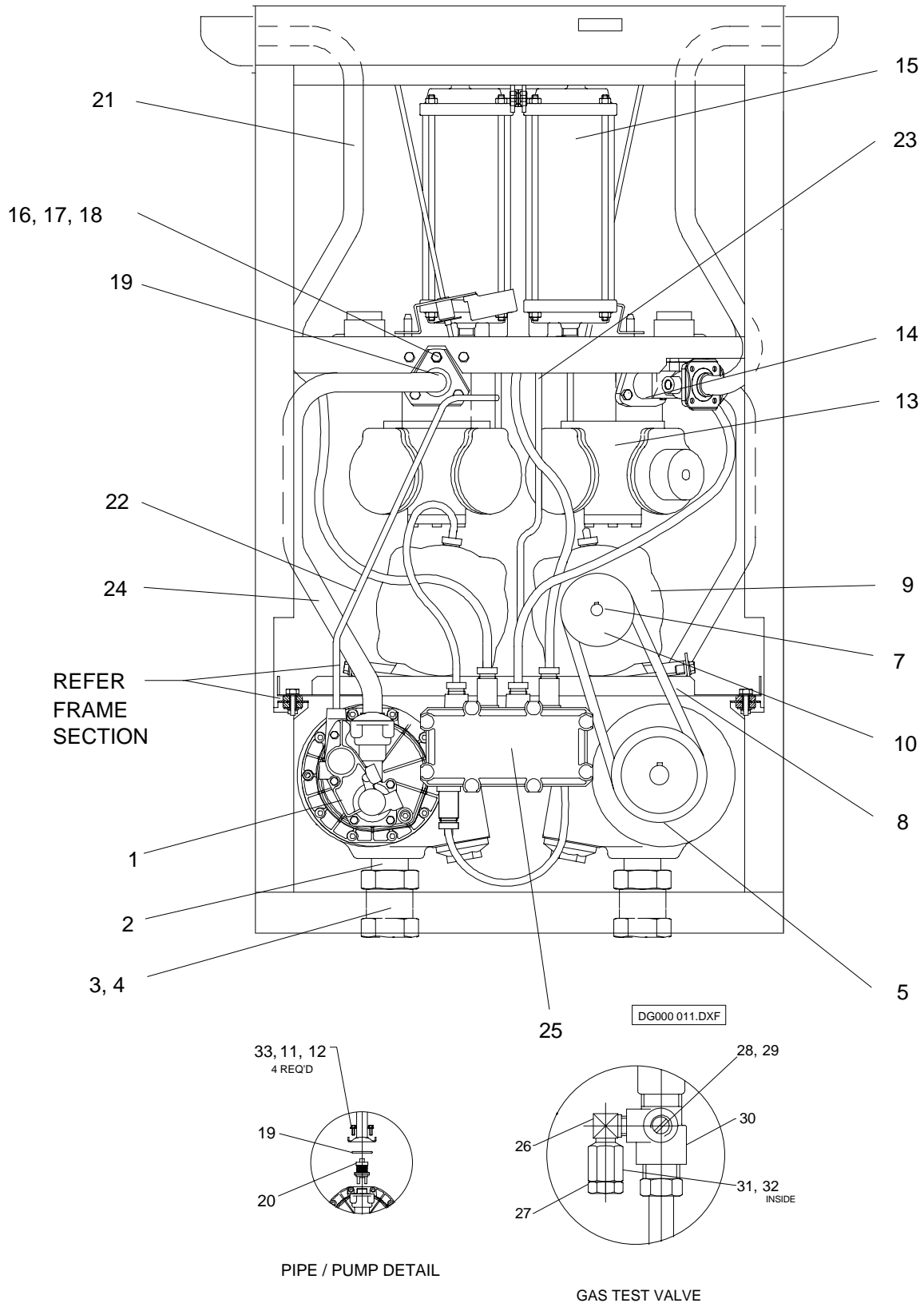
HYDRAULIC MODULE -MK2 PUMP

CAUTION - DO NOT use item number for parts ordering - use only the correct part number and description.

ITEM	Qty req'd for Model			PART NUMBER	DESCRIPTION
	PRESET	NON PRESET			
1	2	2		-	Pump and air sep. assy (refer pump section)
2	2	2		DQ55008-020	Pipe 40mm bore
3	2	2		DQ49501-009	Pipe coupling
4	2	2		T126-0079	Sealing disc
5	2	2		T015-0263	Pump pulley
6	2	2		GB0195XA	Pump shaft key
7	4	4		DQ23103-573	Screw M8 x 12 grub
8	2	2		T028-0001	Vee belt
9	2	2		DN01438	Motor 0.45KW
10	2	2		DR04745	Motor pulley
11	1	-		DT05029	Tube - valve 'B' inlet
12	1	-		DT04817	Tube - valve 'B' outlet
13	2	2		T262AU-01	4 piston meter
14	-	2		DT04815-003	Flow control valve assy (refer FCV MK2)
14	2	-		DT04815-002	Flow control valve assy (refer FCV MK2)
15	2	2		T257AM	Sump separator long
16	10	10		DQ23069-254	Screw 5/16" unc x 3/4"
17	38	38		DQ41508-005	Spring washer M8
18	32	32		DQ41501-015	Washer M8
19	6	6		DQ41010-223	O-ring section dia 1/8" x Int. dia 1 5/8"
20	1	-		DT05028	Tube - valve 'A' inlet
21	1	-		DT04814	Tube - valve 'A' outlet
22	2	2		-	Tube - air separator inlet (refer pump section)
23	2	2		DT04807	Tube - sump return
24	2	2		DT04768	Pipe meter inlet
25	1	1		-	Junction box (Refer j/box section for details)
26	2	2		DQ49122-001	Elbow adaptor
27	2	2		DK04586	Valve seat
28	2	2		DK04587	Valve
29	2	2		DQ41004-013	O-ring
30	2	2		DN04776	Body - valve
31	2	2		DK04585	Valve body
32	2	2		DQ43401-220	Ball - steel
33	10	10		DQ23102-505	Screw M6 x 16 hex. head
34	8	8		DQ41501-013	Washer M6
35	14	14		DQ41508-004	Spring washer M6
36	2	2		--	Valve assy check (Refer vave DK03483 section)
37	2	2		DT04769	Meter outlet pipe

HYDRAULIC MODULE

- MK3 PETROL AND/OR DIESEL PUMP HI/LO FLOW



NOTES:

- 1) DUAL MODEL SHOWN.
- 2) REFER HYDRAULIC MODULE MK2 FOR PILOT VALVE TUBE DETAILS FOR EARLY MK3 MODELS.

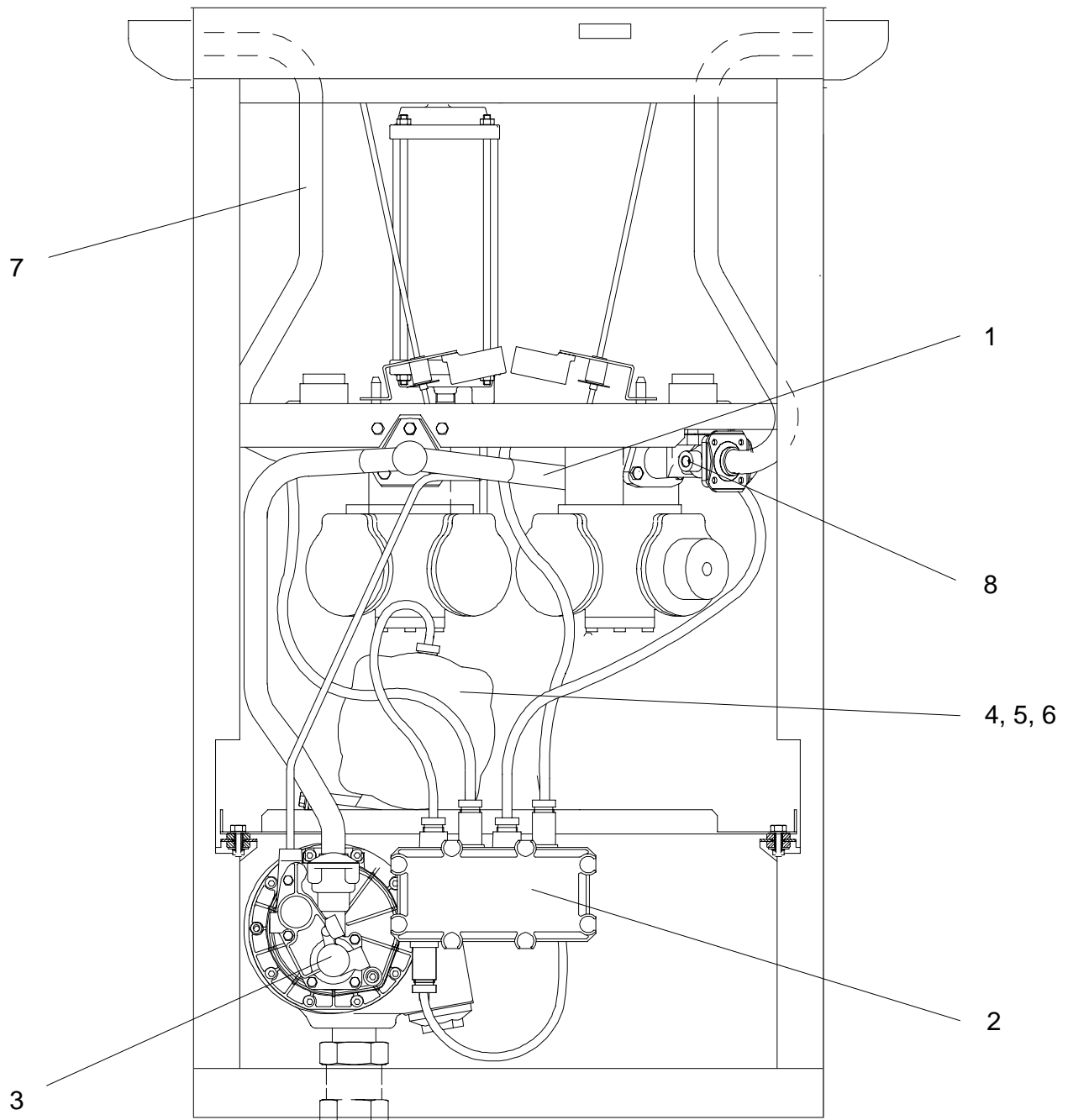
HYDRAULIC MODULE -MK3 PUMP

CAUTION - DO NOT use item number for parts ordering - use only the correct part number and description.

ITEM	Qty req'd for Model			PART NUMBER	DESCRIPTION
	H/F DIST	L/F DIST	L/F PET		
1	2	2	2	-	Pump and air sep. assy (refer pump section)
2	2	2	2	DQ55008-020	Pipe 40mm bore
3	2	2	2	DQ49501-009	Pipe coupling
4	2	2	2	T126-0079	Sealing disc
5	2	2	2	-	Pump pulley (refer pump section)
6	2	2	2	GB0195XA	Pump shaft key
7	2	2	2	DQ23103-573	Screw M8 x 12 grub
8	-	2	2	DQ43706-028	Vee belt A28
8	2	-	-	DQ43706-030	Vee belt A30
9	-	2	2	DN01438	Motor 0.45kW
9	2	-	-	DK01033-001	Motor 1HP Cont. rated counter clockwise rot.
10	-	2	2	DR04745	Motor pulley Lo flow
10	2	-	-	DR04745-001	Motor pulley High flow (95.5 dia)
11	8	8	8	DQ41501-013	Washer M6
12	14	14	14	DQ41508-004	Spring washer M6
13	2	2	2	T262AU	4 piston meter
14	2	2	2	-	Flow control valve assy (refer FCV section)
15	2	2	2	T257AM	Sump separator long
16	10	10	10	DQ23069-254	Screw 5/16" unc x 3/4"
17	38	38	38	DQ41508-005	Spring washer M8
18	32	32	32	DQ41501-015	Washer M8
19	6	6	6	DQ41010-223	O-ring section dia 1/8" x Int. dia 1 5/8"
20	2	2	2	-	Valve assy check (refer valve DK03483 section)
21	2	2	2	DT04769	Meter outlet pipe
22	2	2	2	DT06203	Tube - air separator inlet
23	2	2	2	DT06207	Tube - sump return
24	2	2	2	DT06535	Pipe meter inlet
25	1	1	1	-	Junction box (Refer j/box section for details)
26	2	2	2	DQ49122-001	Elbow adaptor
27	2	2	2	DK04586	Valve seat
28	2	2	2	DK04587	Valve
29	2	2	2	DQ41004-013	O-ring
30	2	2	2	DN04776	Body - valve
31	2	2	2	DK04585	Valve body
32	2	2	2	DQ43401-220	Ball - steel
33	10	10	10	DQ23102-505	Screw M6 x 16 hex. head

HYDRAULIC MODULE

- MK3 SINGLE PRODUCT DUAL PUMP PETROL AND/OR DIESEL HI/LO FLOW



DG000 012.DXF

NOTES

- 1) REFER HYDRAULIC SECTION MK3 FOR PARTS COMMON WITH STANDARD MK3 PUMP

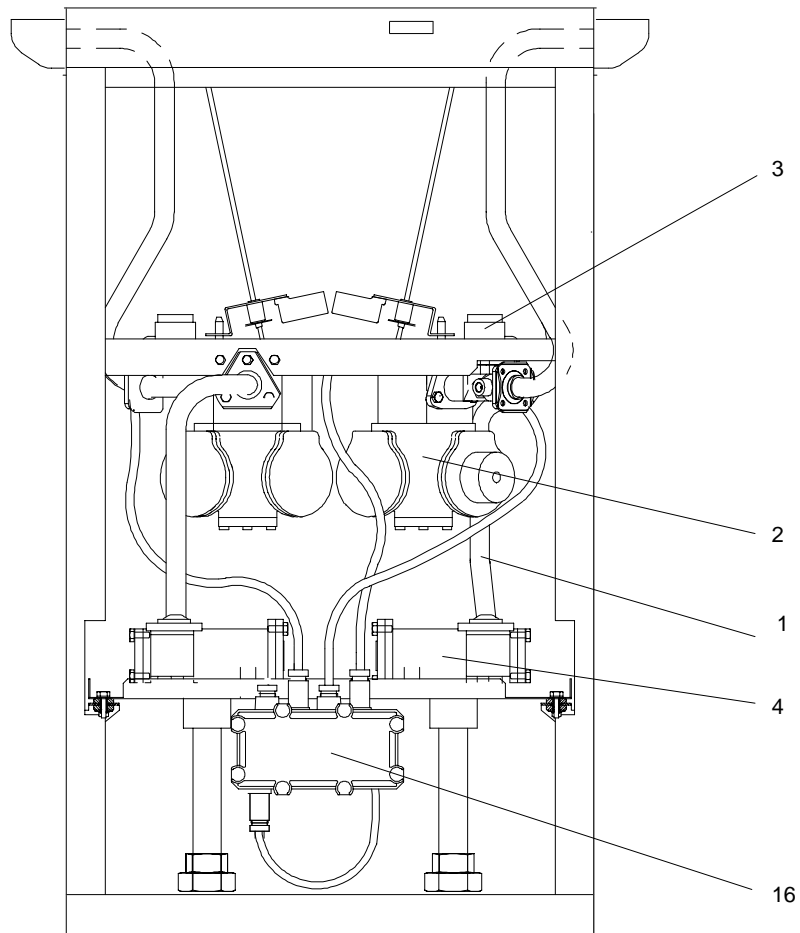
HYDRAULIC MODULE -SINGLE PROD DUAL

CAUTION - DO NOT use item number for parts ordering - use only the correct part number and description.

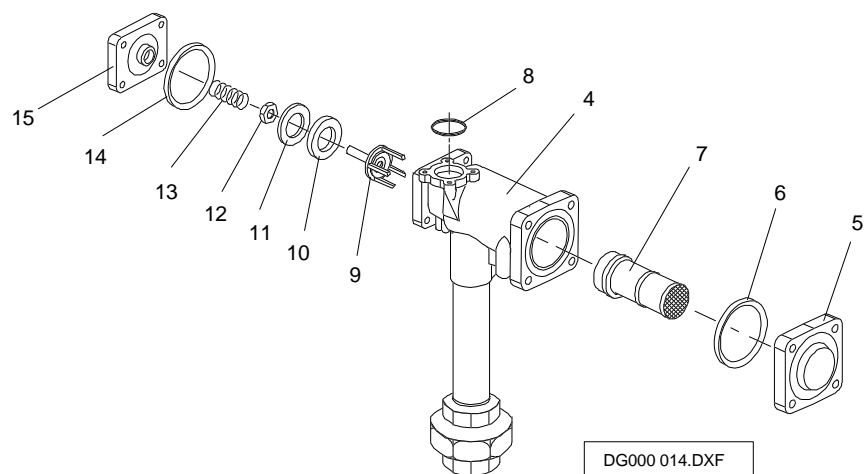
ITEM	Qty req'd for Model			PART NUMBER	DESCRIPTION
	PET L/F	DIST L/F			
1	1	1		DT06790	Pipe meter inlet
2	1	1			Junction box
3	1	-		T258AT-4	Pump unit PETROL (refer pump section)
3	-	1		T258AT-6	Pump unit DIESEL (refer pump section)
4	1	1		T328-0133	Motor 750W
5	1	1		DR06136-001	Pulley motor
6	1	1		DQ43706-029	V-Belt A29
7	2	2		DT04769	Pipe meter outlet
8	2	2		-	Flow control valve assy (refer FCV section)

HYDRAULIC MODULE

- MK3 PETROL AND/OR DIESEL DISPENSER HI/LO FLOW



DG000 013.DXF



DG000 014.DXF

NOTES
 REFER HYDRAULIC MODULE MK3 SECTION FOR PARTS
 COMMON TO STANDARD MK3 PUMP

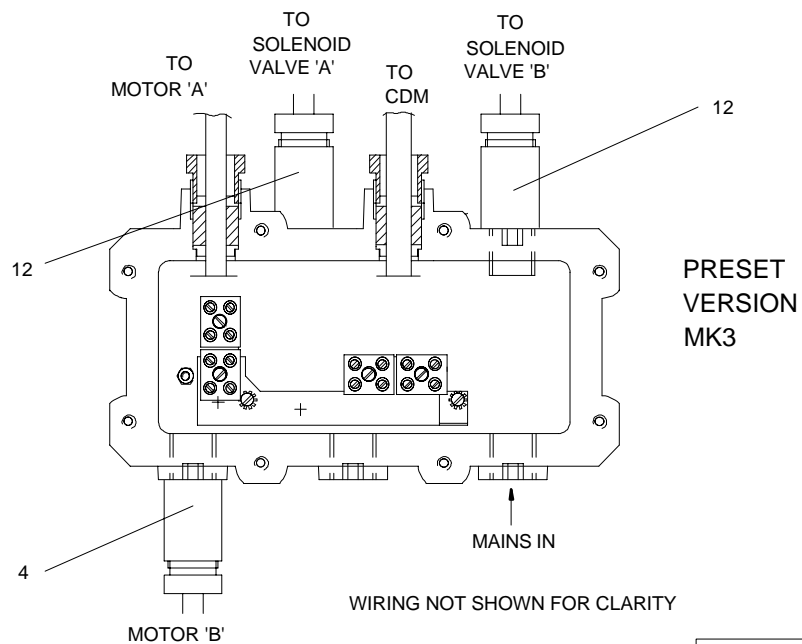
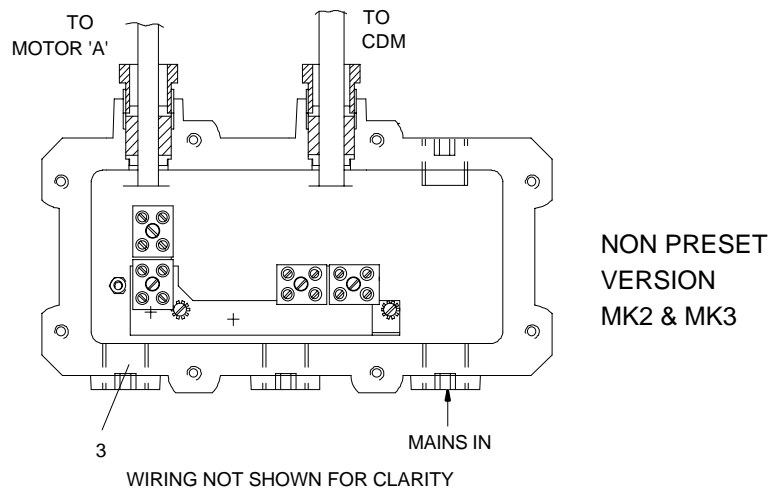
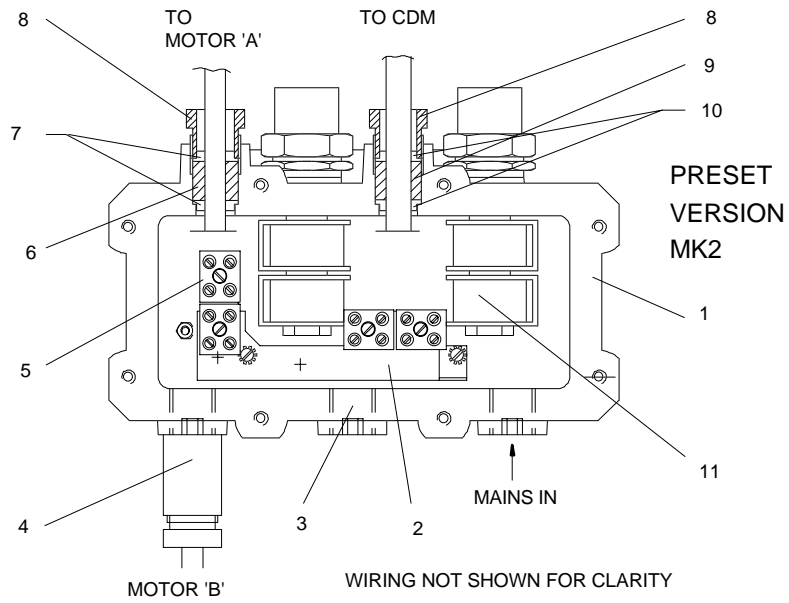
HYDRAULIC MODULE -MK3 DISPENSER

CAUTION - DO NOT use item number for parts ordering - use only the correct part number and description.

ITEM	Qty req'd for Model			PART NUMBER	DESCRIPTION
	L/F	H/F			
1	2	2		DT06709	Meter inlet pipe
2	2	2		T262AU	Meter 4 piston
3	-	2		-	Flow control valve assy H/F (refer FCV section)
3	2	-		-	Flow control valve assy L/F (refer FCV section)
4	2	2		DT04882	Manifold assembly (includes items 5-16)
5	2	2		AN20424	Strainer cap
6	2	2		AQ10068-24	O-Ring
7	2	2		GB0821	Strainer
8	2	2		DQ41011-219	O-Ring
9	2	2		DK00897	Valve
10	2	2		T260-0124	Disk
11	2	2		T260-0120	Washer
12	2	2		Z02586	Pal nut
13	2	2		AK88744	Spring
14	2	2		AQ10068-20	O-Ring
15	2	2		AR14024-01	Check valve cap
16	1	1		-	Junction box (refer junction box assy section)

JUNCTION BOX ASSEMBLY - PUMP

MK2, MK3, PSET & NON PSET VERSIONS
(EXCEPT DISPENSERS & SINGLE PRODUCT DUAL PUMP)



DG000 002.DXF

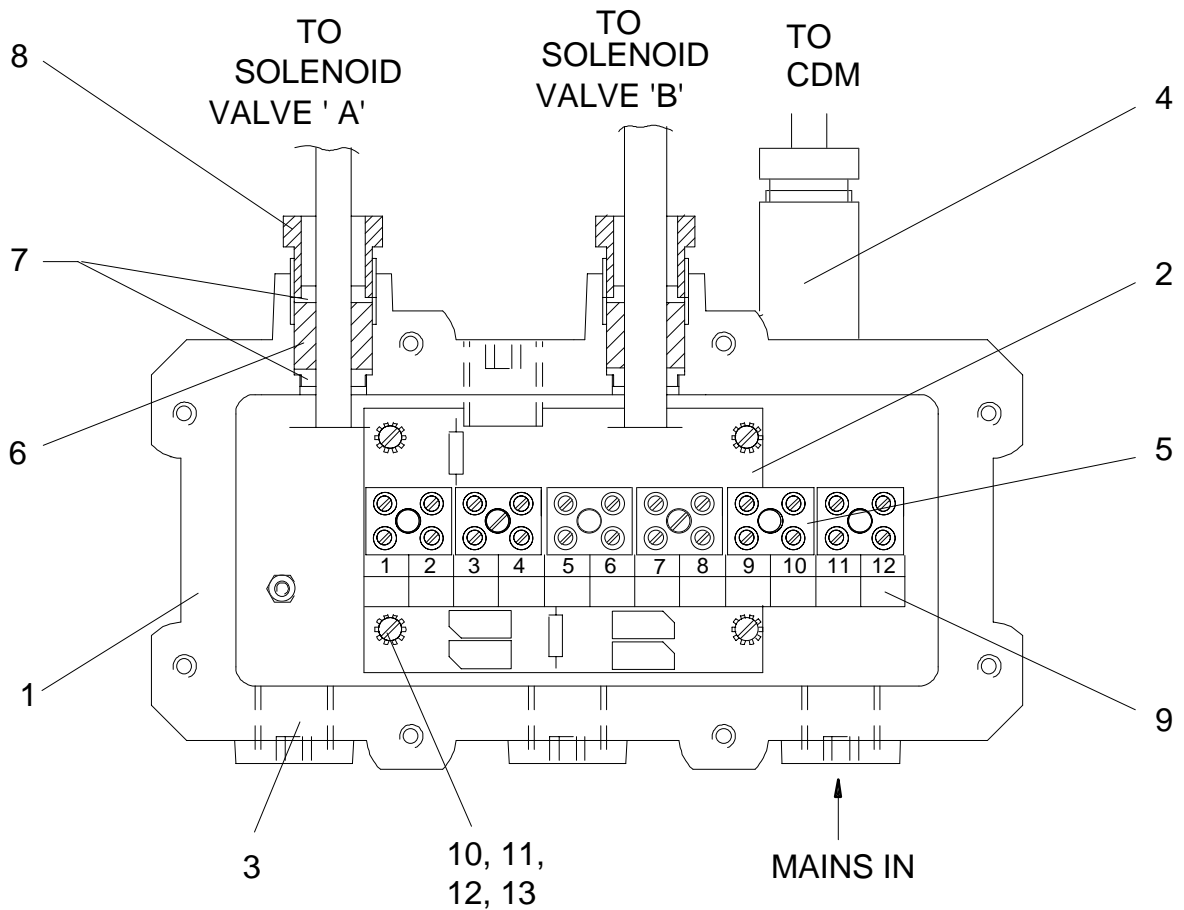
JUNCTION BOX ASSEMBLIES

CAUTION - DO NOT use item number for parts ordering - use only the correct part number and description.

ITEM	Qty req'd for Model			PART NUMBER	DESCRIPTION
	pset MK2	non pset.	pset MK3		
1	1	1	1	T327CB-7M	Junction box
2	1	1	1	DR04244-001	Bracket terminal block
3	1	3	1	DK04220	Conduit plug
4	1	-	1	T012-1050MB	Gland assembly
5	2	2	2	DQ44363-014	Terminal 4 way
6	1	1	1	DK01431-001	Gland seal
7	2	2	2	DK01430-001	Washer seal
8	2	2	2	T012-1047	Gland nut
9	1	1	1	DK01431-004	Gland seal
10	2	2	2	T026-0049	Washer seal
11	2	-	-	AN22842-02	Pilot valve (2 stage) (Separate items not supplied)
12	-	-	2	T012-1050MC	Gland assembly M20 (for solenoid valve)

JUNCTION BOX ASSEMBLY - DISPENSER

MK3 DISPENSER VERSION (TIME DELAY)



WIRING NOT SHOWN FOR CLARITY

DG000 003.DXF

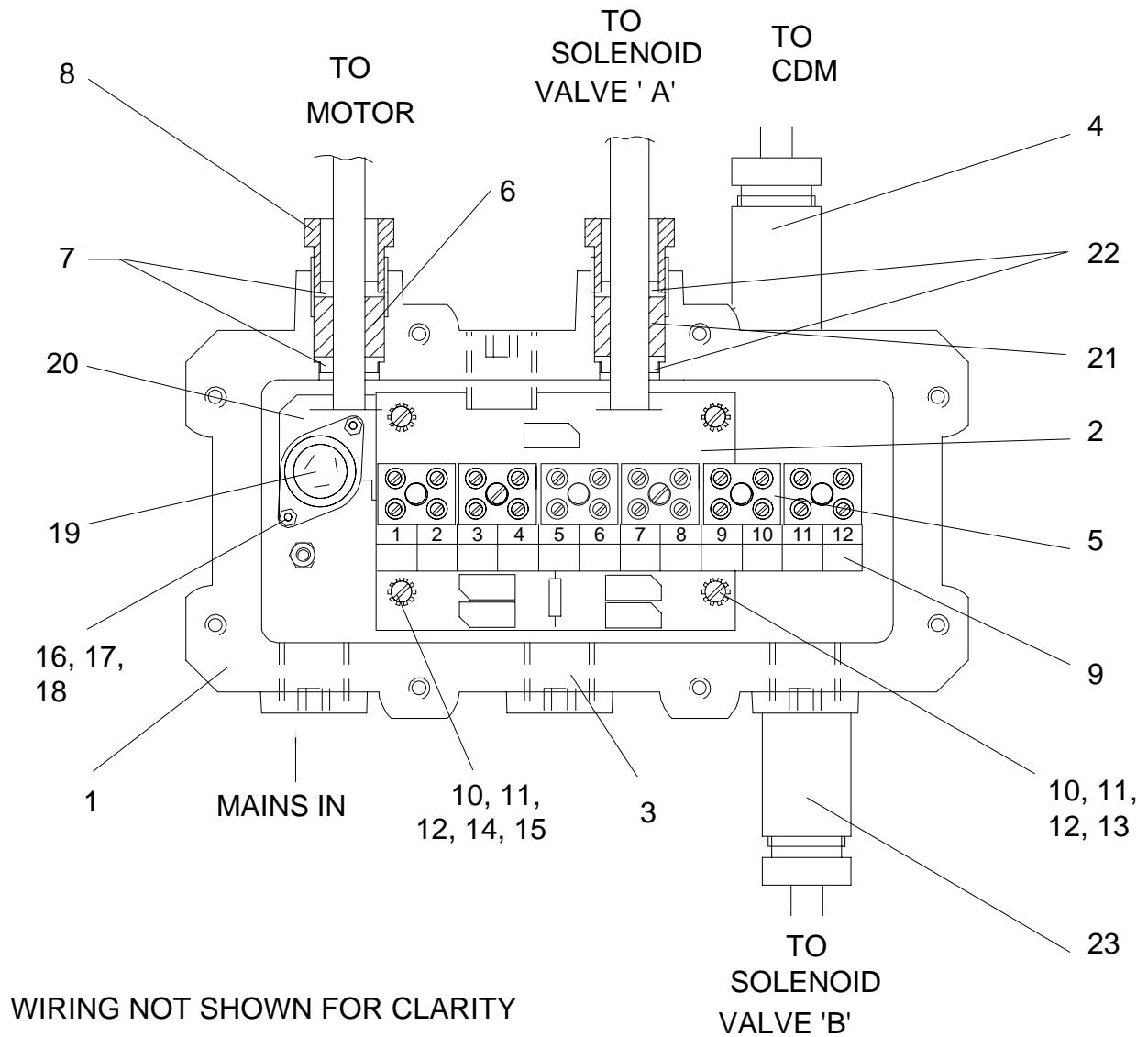
JUNCTION BOX ASSY TIME DELAY

CAUTION - DO NOT use item number for parts ordering - use only the correct part number and description.

ITEM	Qty req'd for Model			PART NUMBER	DESCRIPTION
1	1			T327CB-7M	Junction box
2	1			DR06590	PCB assembly - dispenser time delay
3	3			DK04220	Conduit plug
4	1			T012-1050MB	Gland assembly
5	1			DQ44363-018	Terminal 12 way
6	2			DK01431-002	Gland seal
7	4			DK01430-002	Washer seal
8	2			T012-1047	Gland nut
9	1			DQ59806-009	Terminal marker
10	4			DQ41501-010	Washer flat M4
11	4			DQ41502-010	Washer internal tooth M4
12	4			DQ23101-400	Screw M4
13	4			DQ52101-015	Spacer tubular for PCB

JUNCTION BOX ASSEMBLY

- MK3, SINGLE PRODUCT DUAL PUMP (MOTOR CONTROL)



DG000 004.DXF

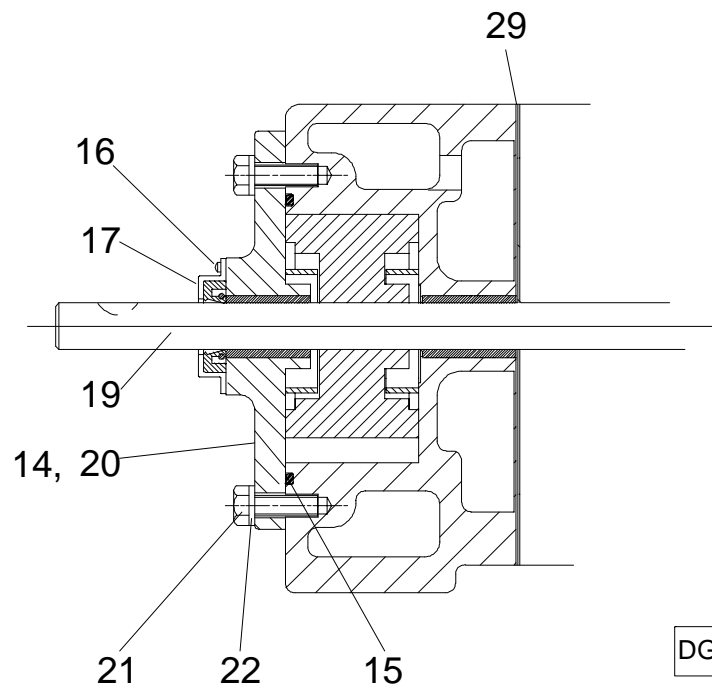
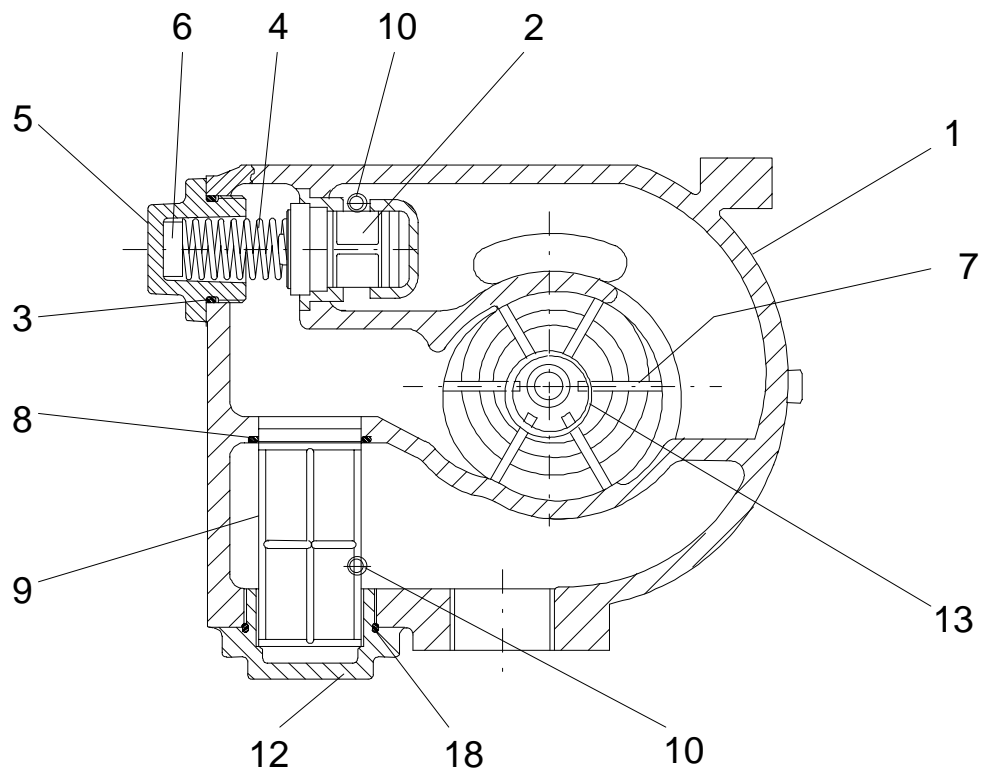
JUNCTION BOX ASSY MOTOR CONTROL

CAUTION - DO NOT use item number for parts ordering - use only the correct part number and description.

ITEM	Qty req'd for Model			PART NUMBER	DESCRIPTION
1	1			T327CB-7M	Junction box
2	1			DR06584	PCB assembly - pump motor control
3	2			DK04220	Conduit plug
4	1			T012-1050MB	Gland assembly
5	1			DQ44363-018	Terminal 12 way
6	1			DK01431-001	Gland seal
7	2			DK01430-001	Washer seal
8	2			T012-1047	Gland nut
9	1			DQ59806-010	Terminal marker
10	4			DQ41501-010	Washer flat M4
11	4			DQ41502-010	Washer internal tooth M4
12	4			DQ23101-400	Screw M4 x 16 cheese head
13	2			DQ52101-015	Spacer tubular for PCB
14	2			DQ52103-002	Spacer headed
15	1			DK03590	Strap
16	2			DQ23100-326	Screw M3 x 10 csk head
17	2			DQ38050-010	Nut hex M3
18	2			DQ41506-008	Washer M3 external tooth
19	1			DQ47931-006	Triac
20	1			DK03587	Plate triac mounting
21	1			DK01431-002	Gland seal
22	2			DK01430-002	Washer seal
23	1			T012-1050MC	Gland assembly M20 (for solenoid valve)

PUMP / AIR SEPARATOR UNIT

- MK2 VANE PUMP - T258AR-2 & T258AQ



DG000 005.DXF

REFER NEXT PAGE FOR AIR SEPARATOR DETAILS

PUMP T258AR-2 & T258AQ

CAUTION - DO NOT use item number for parts ordering - use only the correct part number and description.

ITEM	Qty req'd for Model			PART NUMBER	DESCRIPTION
	AR-2	AQ			
1	1	1		DT00019-007	Pump body
2	1	1		DN04873	Relief valve
3	1	1		DQ41011-222	O-Ring 1/8" section
4	1	1		GB0188X	Spring
5	1	1		DR04291	Cap - relief valve
6	2	2		DK02505	Spacer
7	6	6		GB0181XB	Rotor blade
8	1	1		GB0216X	Strainer washer
9	1	1		GB0821	Strainer
10	3	3		DQ49110-002	Plug 1/4" B.S.P.
11	1	-		DQ41011-257	O-Ring 1/8" section
12	1	1		DR04773	Strainer cap
13	2	2		GB0180X	Blade spacer
14	2	2		DQ41607-107	Taper pin dia 1/4" x 1 1/4"
15	1	1		DQ41002-046	O-Ring 1/16" section Vitron A
16	3	3		DQ23101-396	Screw M4 x 10 cheese head
17	1	1		K82472	Lip seal
18	1	1		DQ41011-225	O-Ring 1/8" section
19	1	1		DN04295	Rotor and shaft assembly
20	1	1		DN00020-003	Pump head assembly
21	6	6		DQ23102-606	Screw M10 x 25 hex head
22	6	6		DQ41508-026	Washer spring M10
23	10	10		DQ41506-015	Washer lock
24	8	8		DQ23109-587	Screw M8 x 50 hex head
25	2	2		DN04293	Stud
26	2	2		DQ38054-017	Nut M8 hex

////////

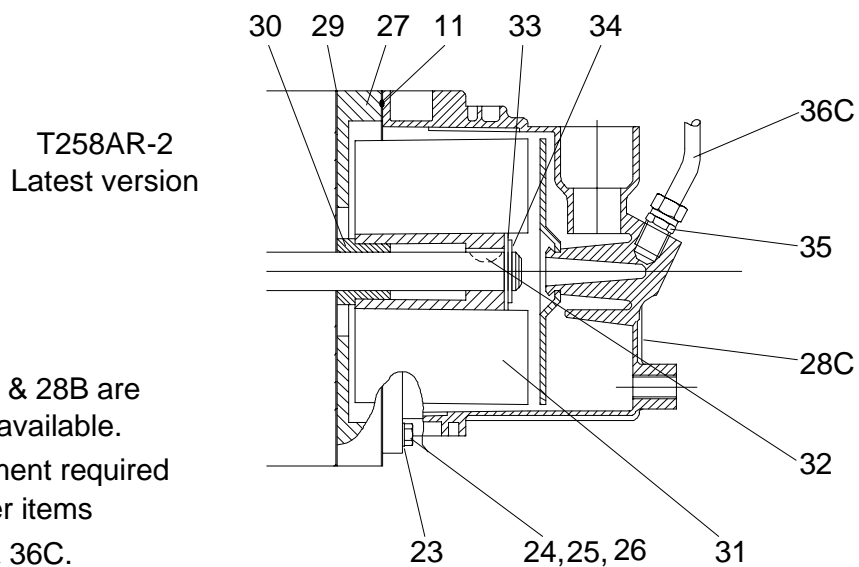
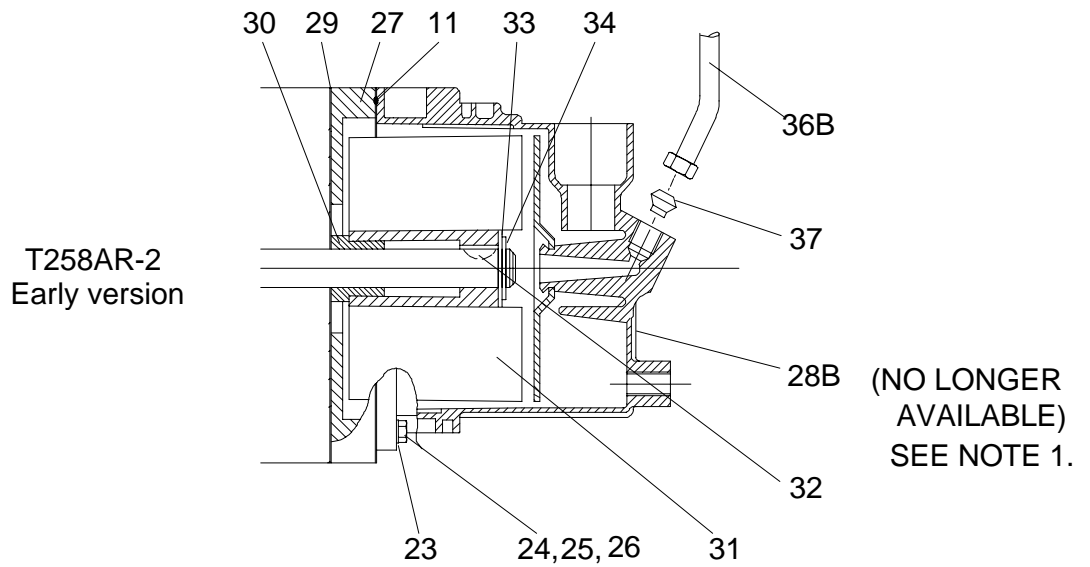
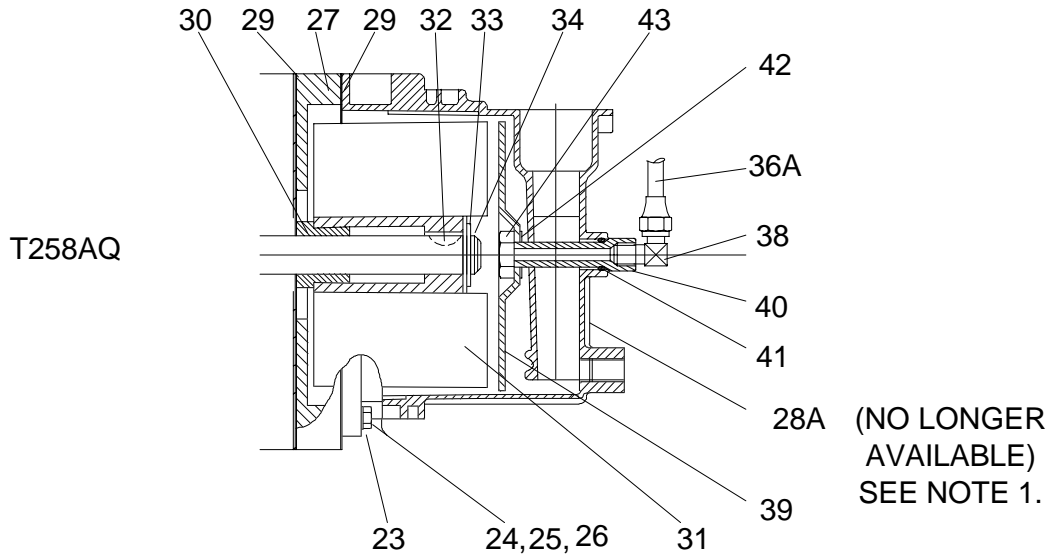
////////

////////

////////

FOR CONTINUATION OF NUMBERS
REFER NEXT PAGE

VANE PUMP MK2 - T258AR-2 & T258AQ



NOTES

1. Items 28A & 28B are no longer available. If replacement required must order items 28C, 35 & 36C.

DG000 006.DXF

PUMP T258AR-2 & T258AQ

CAUTION - DO NOT use item number for parts ordering - use only the correct part number and description.

ITEM	Qty req'd for Model		PART NUMBER	DESCRIPTION
	AR-2	AQ		
27	1	-	DT04302-001	Spacer
27	-	1	DT04302	Spacer
28A	1	-	DR04298	Air separator body - Unavailable See Note 1
28B	-	1	DN05131	Air separator body - Unavailable See Note 1
28C	1	-	DN05131-001	Air separator body/backplate assy.
29	1	2	T020-0170	Gasket
30	1	1	DN04301	Bush
31	1	1	DR04495	Impeller assembly
32	1	1	GB0195XA	Key
33	1	1	GB0182X	Washer
34	1	1	DQ46001-026	Circlip ext. 5/8"
35	1	-	DN05946	Inverted flare adaptor
36A	1	-	DT05956	Tube separator inlet
36B	1	-	DT05151	Tube separator inlet
36C	-	1	DT04809	Tube separator inlet
37	-	1	DN05132	Orifice
38	-	1	DK04438	Elbow assembly
39	-	1	DN04299	Backplate
40	-	1	DN04297	Take off tube
41	-	1	DQ41004-034	O-Ring BUNA 1/16" section
42	-	1	DQ41501-016	Washer flat 3/8"
43	-	1	DN04305	Take off nut

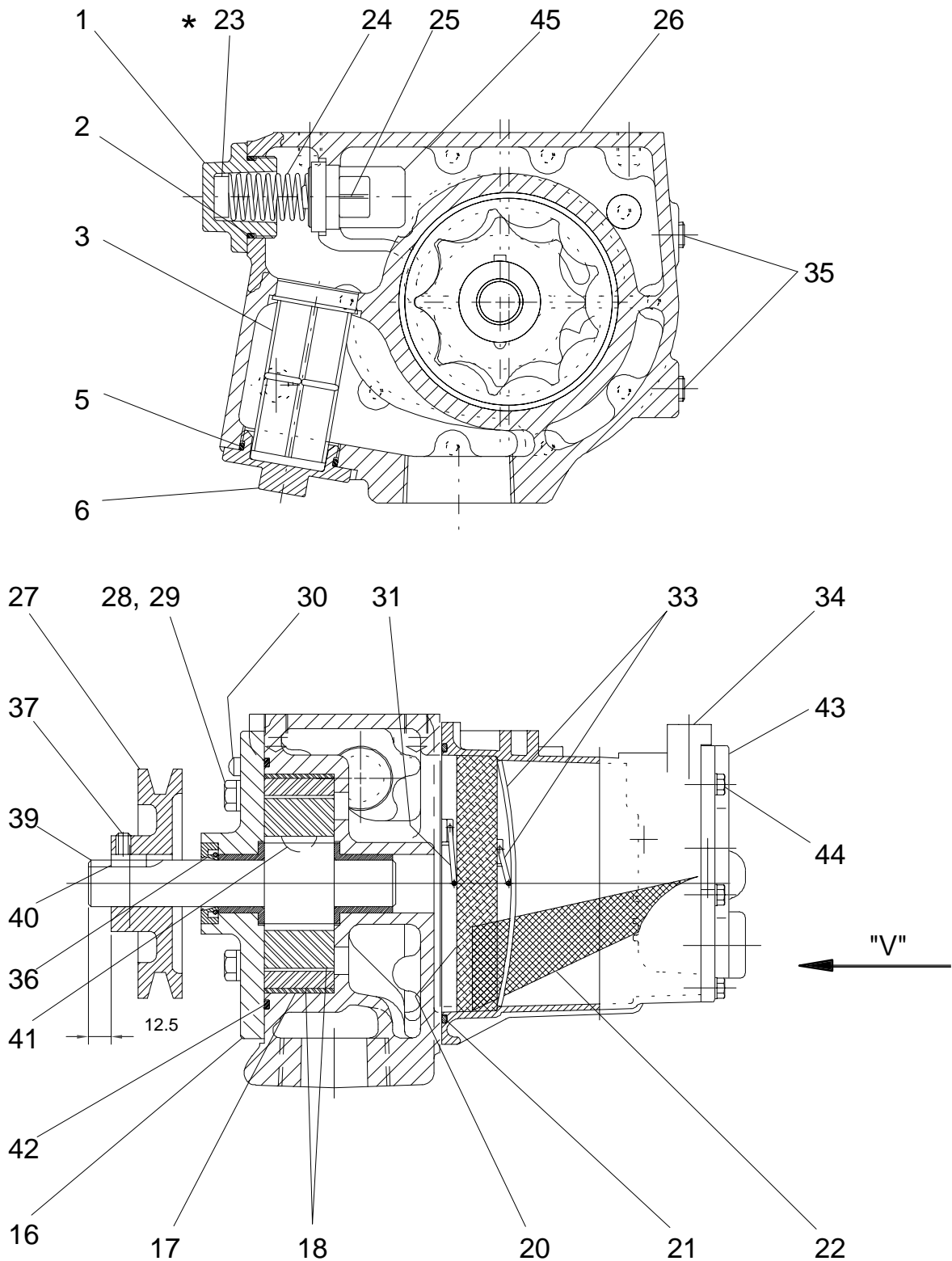
PUMP - MK3 GEROTOR VERSION

T258AT-4 PETROL

Single, Dual & Single product dual

T258AT-5 DIESEL Low flow : Single & Dual

T258AT-6 DIESEL High flow Single, Dual & Single product dual LOW FLOW



DG000 007.DXF

PUMP - T258AT

CAUTION - DO NOT use item number for parts ordering - use only the correct part number and description.

ITEM	Qty req'd for Model			PART NUMBER	DESCRIPTION
	AT-4	AT-5	AT-6		
1	1	1	1	DR04291	Cap relieve valve
2	1	1	1	DQ41011-222	O-ring 1/8" - 38.1 I.D
3	1	1	1	GB0821	Strainer
4	1	1	1	AK88745	Spring diaphragm
5	1	1	1	DQ41011-225	O-ring 1/8" - 47.6 I.D
6	1	1	1	DR04773	Cap - filter
7	1	-	-	DN05761	Spring - light PETROL
7	-	1	1	DN06092	Spring - heavy DIESEL
8	1	1	1	DQ41002-008	O-ring .07" - 4.5 I.D
9	1	1	1	DN06064	Orifice (GDPV)
10	1	1	1	DQ41002-011	O-ring .07" - 7.7 I.D
11	1	1	1	DQ41002-014	O-ring .07" - 12.7 I.D
12	1	-	-	DN06703	Body (GDPV) - PETROL
12	-	1	1	DN06703-001	Body (GDPV) - DIESEL
13	1	1	1	DR06528	Diaphragm assembly
14	10	10	10	DQ23118-151	Screw M8x25 captive socket HD
15	10	10	10	DQ41508-025	Washer spring M8
16	1	1	1	DT06356	Head gerotor assembly machined
17	1	1	1	AN23296	DU liner
18	1	1	1	AR19355-G1	Gear set
19	1	1	1	DQ41200-022	O-ring .07" - 25.4mm I.D
20	1	1	1	T258-0108	Filter air separator
21	1	1	1	DQ41011-257	O-ring 1/8" - 5 7/8" I.D
22	1	1	1	DN06129	Baffle
23	2	2	4	DK02505-001	Spacer
24	1	1	1	DK06130	Spring by-passs Valve
25	1	1	1	DN06126-002	By-pass valve -diameter 36.52
26	1	1	1	DT06124	Body - pump
27	1	1	1	DR06137-001	Pulley pump
28	5	5	5	DQ23102-606	Screw M10x25 hex HD
29	5	5	5	DQ41508-026	Washer M10
30	2	2	2	DQ41607-107	Tapered Dowel DIA 6mm
31	1	1	1	T258-0261	Retainer filter

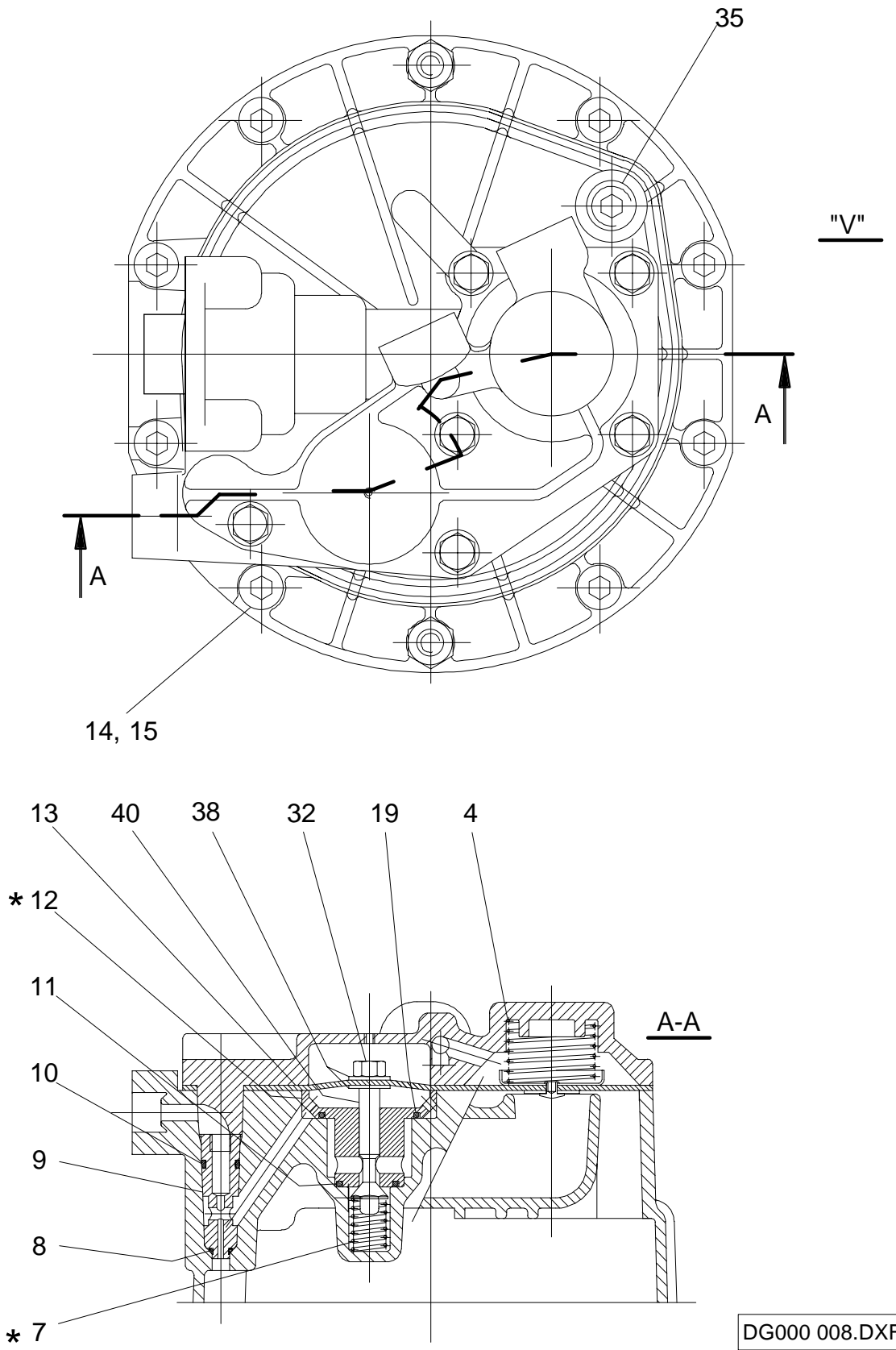
PUMP MK3 VERSION

T258AT-4 PETROL

Single, Dual & Single product dual

T258AT-5 DIESEL Low flow : Single & Dual

T258AT-6 DIESEL High flow Single, Dual & Single product dual **LOW FLOW**



NOTE:- ITEMS MARKED * CHANGED BETWEEN PETROL & DIESEL MODELS.

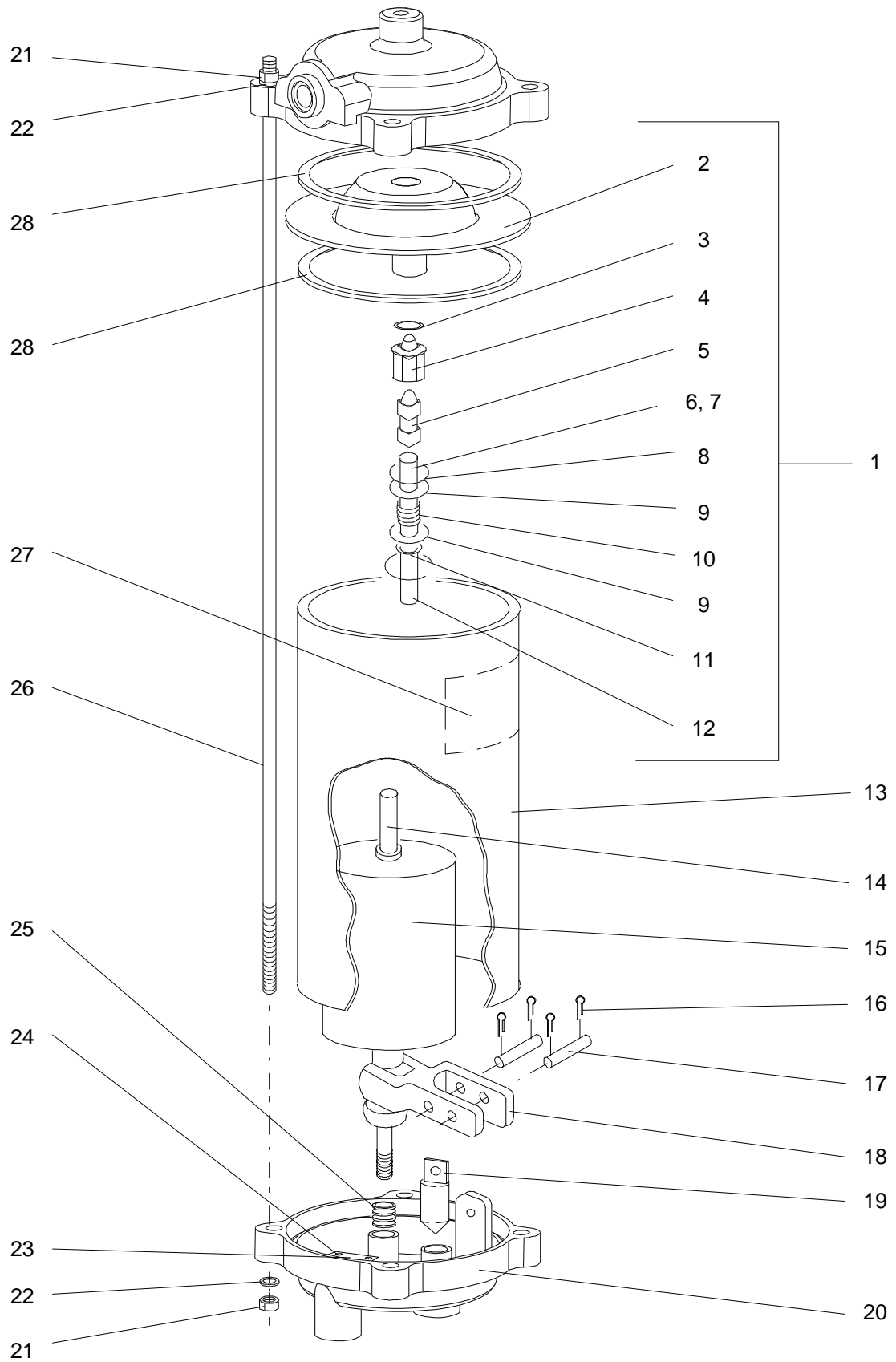
part no.	DQ98011-006	part name	PARTS MANUAL - ELECTROLINE	date	MAY '95	issue	A	Page 44 of 64
----------	-------------	-----------	----------------------------	------	---------	-------	---	---------------

PUMP - T258AT

CAUTION - DO NOT use item number for parts ordering - use only the correct part number and description.

ITEM	Qty req'd for Model			PART NUMBER	DESCRIPTION
	AT-4	AT-5	AT-6		
32	1		1	DQ38050-014	Nut M5
33	2	2	2	T258-0260	Retainer filter
34	1	1	1	DT06418-001	Body air separator (die cast)
35	3	3	3	DQ49110-002	Plug 1/4" BSPT
36	1	1	1	DQ41151-001	Seal
37	1	1	1	DQ23103-573	Screw set M8x12 socket HD
38	2	2	2	DN05728	Washer special
39	1	1	1	AR19423S-01	Shaft
40	1	1	1	DN05729	Shaft -PV
41	2	2	2	DQ43200-017	Key woodruff
42	1	1	1	DQ41011-251	O-ring 1/8" - 5 1/8" I.D
43	1	1	1	DR06419-001	Cap machined (die cast)
44	6	6	6	DQ23133-102	Screw M6x16
45	1		1	DN06125	Seat by-pass valve

AIR SEPARATOR SUMP - T257AM



DG000 018.DXF

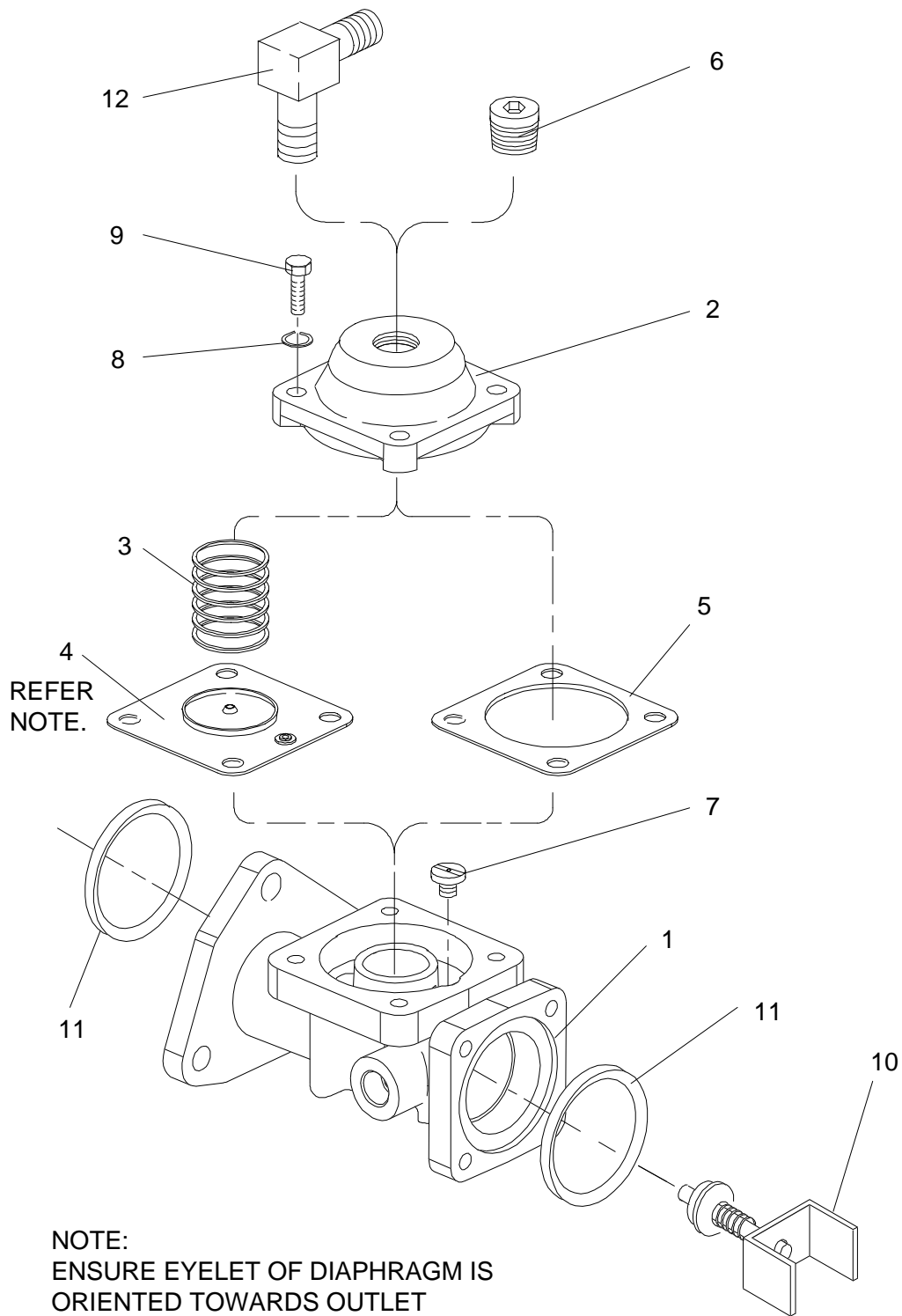
AIR SEPARATOR SUMP - T257AM

CAUTION - DO NOT use item number for parts ordering - use only the correct part number and description.

ITEM	Qty req'd for Model			PART NUMBER	DESCRIPTION
1	1			DK04656-001	Vent valve kit long (includes items 2 to 12 & 28)
2	-			DN04506	Disc and seat (not supplied separately)
3	-			DQ41002-009	O-Ring (not supplied seperately)
4	-			DN04509	Valve (not supplied seperately)
5	-			DN04510	Valve (not supplied seperately)
6	-			DN04511-001	Stem (not supplied seperately)
7	-			DQ18202-012	Loctite 290 (not supplied seperately)
8	-			DN04513	Spring clip - small (not supp. seperately)
9	-			DQ41502-013	Washer (not supplied seperately)
10	-			T019-0154	Spring (not supplied seperately)
11	-			DQ46002-001	Circlip (not supplied seperately)
12	-			DN04514	Spring clip - large (not supp. seperately)
13	1			T257-0111	Cylinder
14	1			DK00619	Float guide rod
15	1			T257-0101	Float and spool
16	4			DQ41609-028	Pin split 1.6 dia. x 12
17	2			DQ52201-001	Pin parallel
18	1			GB0036XA	Lever
19	1			GB0035XA	Valve
20	1			DN00620-002	Cylinder base
21	8			DQ38050-017	Nut hex. M8
22	8			DQ41508-005	Washer spring M8
23	1			T257-0107	Baffle plate
24	2			DQ23038-076	Screw drive # 2x6.3
25	1			T019-0154	Spring
26	4			DQ50002-002	Stud thread both ends M8
27	2			DQ59403-030	Label
28	2			DK03796	Gasket
29	1			AN08040-12	Cylinder cover

FLOW CONTROL VALVE MK2

PUMPS PRESET & NON PRESET



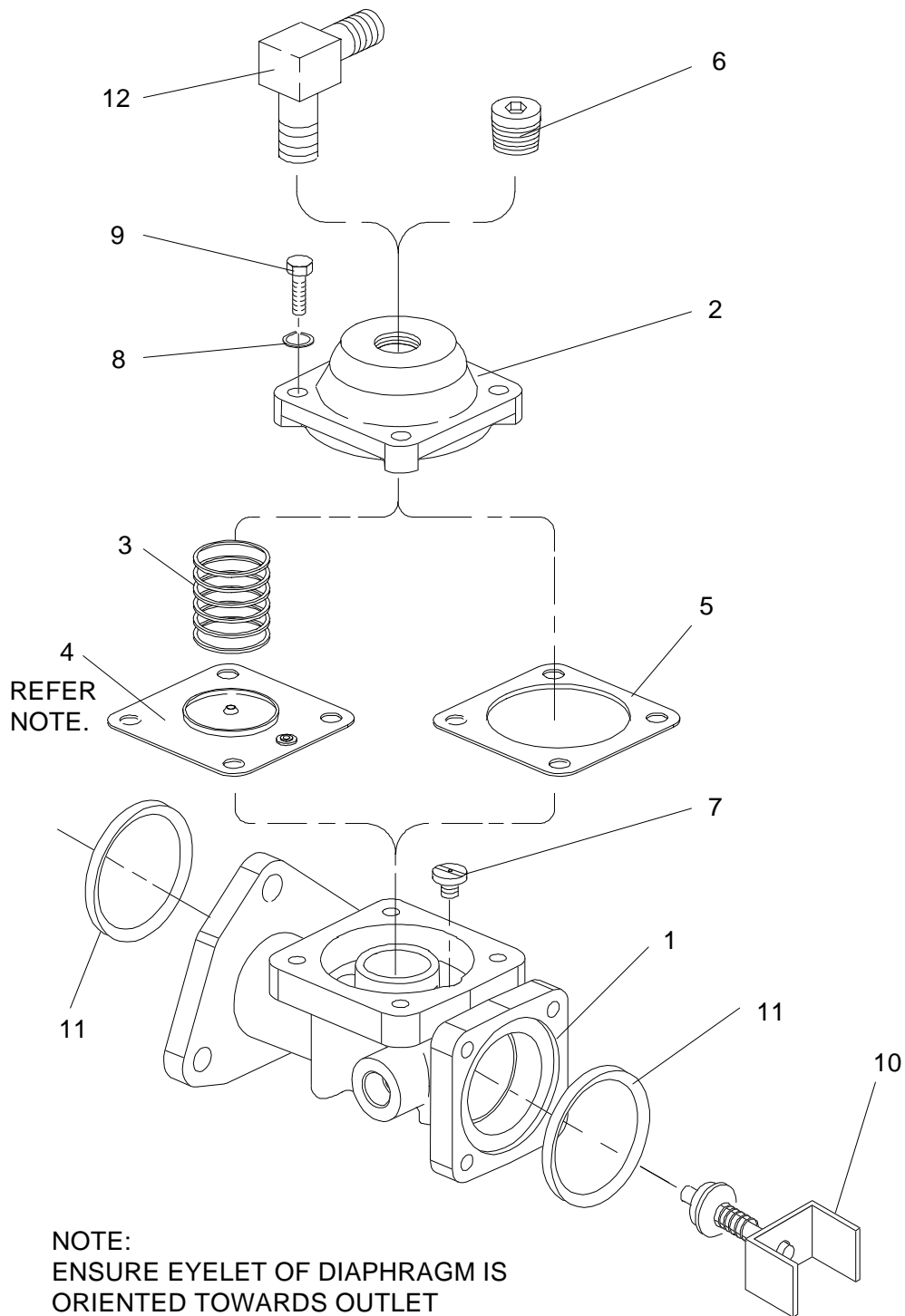
DG000 015.DXF

FLOW CONTROL VALVE MK2

CAUTION - DO NOT use item number for parts ordering - use only the correct part number and description.

ITEM	Qty req'd for Model			PART NUMBER	DESCRIPTION
	WITH PSET	NON PSET			
1	1	-		DT04715-002	Valve body machined - preset
1	-	1		DT04715-003	Valve body machined - non preset
2	1	1		AR14025-10	Valve cap
3	1	-		T019-0150	Diaphragm spring
4	1	-		AK93006	Diaphragm
5	-	1		DN04857	Gasket
6	-	1		DQ49110-001	Pipe plug 1/8" B.S.P.
7	1	-		DN04763	Jet slow flow
8	4	4		DQ41508-004	Washer spring M6
9	4	4		DQ23102-507	Screw M6 x 20 hex. head
10	1	1		DN04799	Valve assembly
11	2	2		DQ41010-223	O-Ring
12	1	-		DK01072	Flare elbow

FLOW CONTROL VALVE EARLY MK3 PUMP PRSET & NON PRSET PETROL



DG000 015.DXF

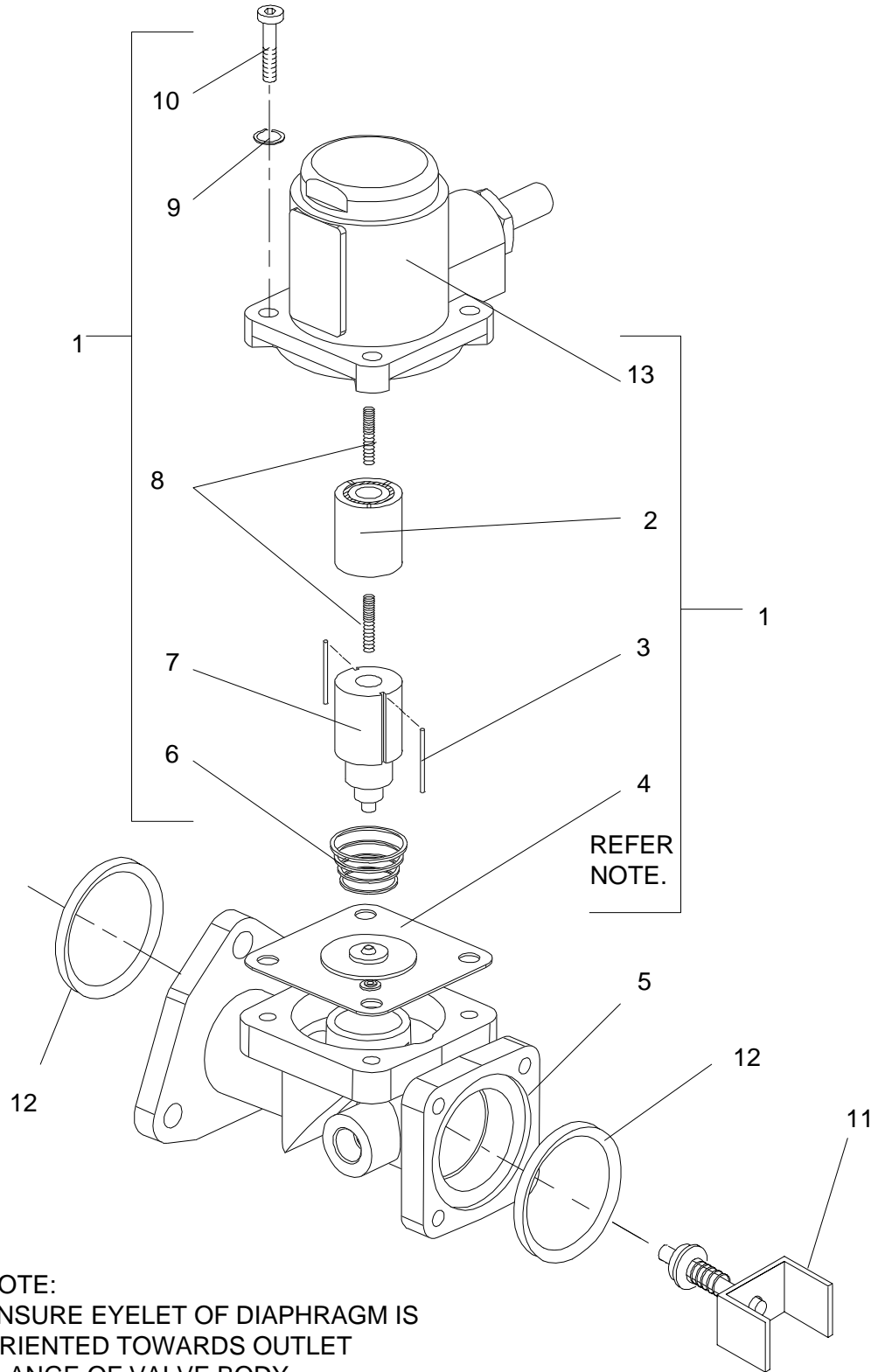
FLOW CONTROL VALVE EARLY MK3

CAUTION - DO NOT use item number for parts ordering - use only the correct part number and description.

ITEM	Qty req'd for Model			PART NUMBER	DESCRIPTION
	WITH PSET	NON PSET			
1	1	-		DT04715-002	Valve body machined - preset
1	-	1		DT04715-003	Valve body machined - non preset
2	1	1		AR14025-10	Valve cap
3	1	-		T019-0150	Diaphragm spring
4	1	-		AK93006	Diaphragm
5	-	1		DN04857	Gasket
6	-	1		DQ49110-001	Pipe plug 1/8" B.S.P.
7	1	-		DN04763	Jet slow flow
8	4	4		DQ41508-004	Washer spring M6
9	4	4		DQ23102-507	Screw M6 x 20 hex. head
10	1	1		DN04799	Valve assembly
11	2	2		DQ41010-223	O-Ring
12	1	-		DK01072	Flare elbow

FLOW CONTROL VALVE - MK3

DR06220 SERIES
PRESET PUMPS



NOTE:
ENSURE EYELET OF DIAPHRAGM IS
ORIENTED TOWARDS OUTLET
FLANGE OF VALVE BODY.

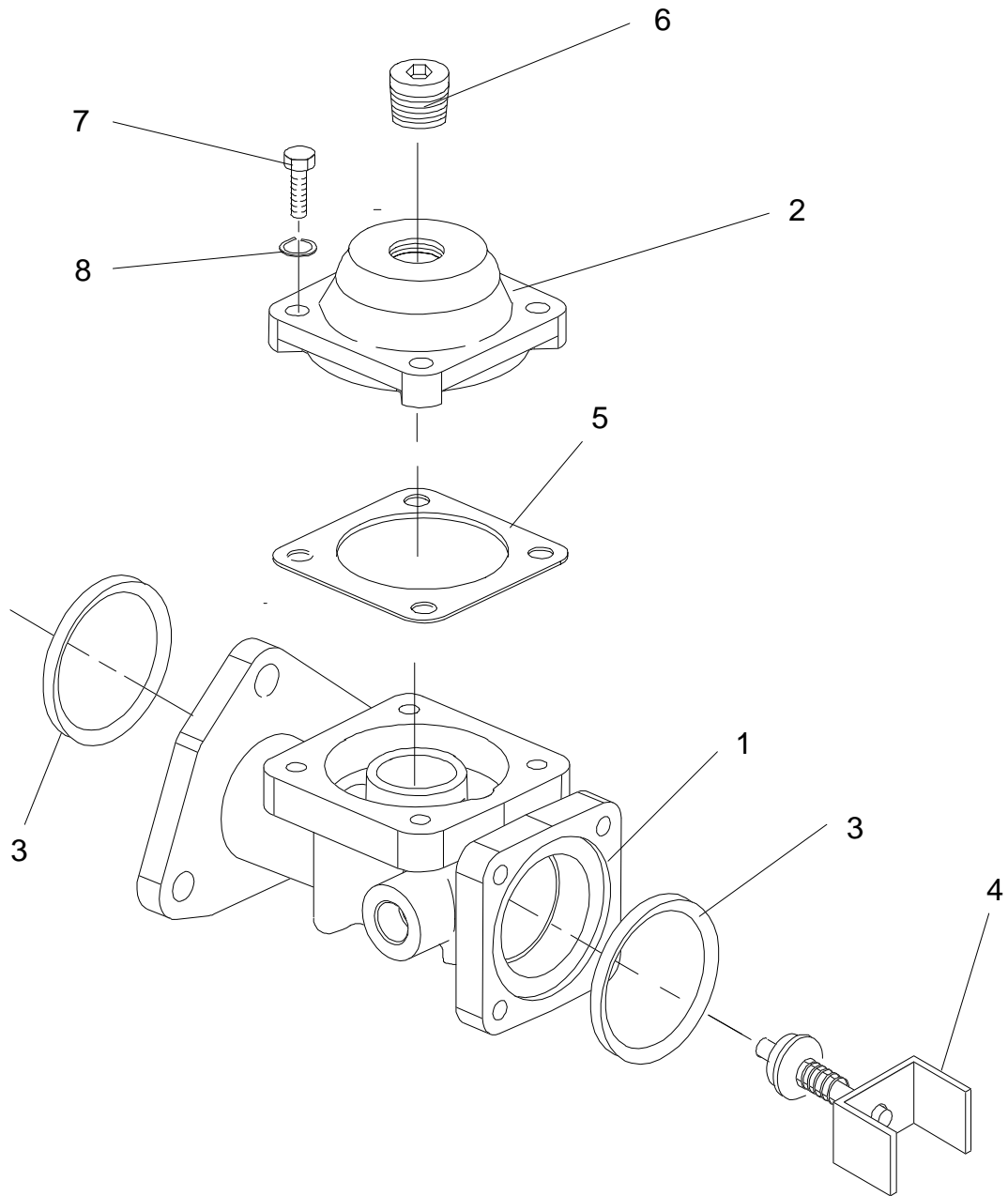
DG000 016.DXF

FLOW CONTROL VALVE MK3 PRESET PUMPS

CAUTION - DO NOT use item number for parts ordering - use only the correct part number and description.

ITEM	Qty req'd for Model			PART NUMBER	DESCRIPTION
	DIST L/F	DIST H/F	PET L/F		
1	1	1	1	DQ49620-001	Diaphragm valve assembly
2	1	1	1	--	Plunger A (included in item 1)
3	2	2	2	--	Pin (included in item 1)
4	1	1	1	--	Diaphragm (included in item 1)
5	1	-	1	DT04715-005	Valve body - L/F
5	-	1	-	DT04715-006	Valve body - H/F
6	1	1	1	--	Spring (included in item 1)
7	1	1	1	--	Plunger B (included in item 1)
8	2	2	2	--	Spring - plunger (included in item 1)
9	4	4	4	--	Spring washer M6 (included in item 1)
10	4	4	4	--	Screw M6 x 20 socket head (inc. in item 1)
11	-	-	1	DN04799	Valve assembly - back pressure
12	2	2	2	DQ41011-223	O-ring
13	1	1	1	--	Solenoid valve Goyen

FLOW CONTROL VALVE MK3
DR06220 SERIES
NON PRESET PUMPS
(EXCEPT DISPENSERS & SINGLE PRODUCT DUAL PUMP)



DG000 019.DXF

FLOW CONTROL VALVE MK3 - PUMPS NON PRESET

CAUTION - DO NOT use item number for parts ordering - use only the correct part number and description.

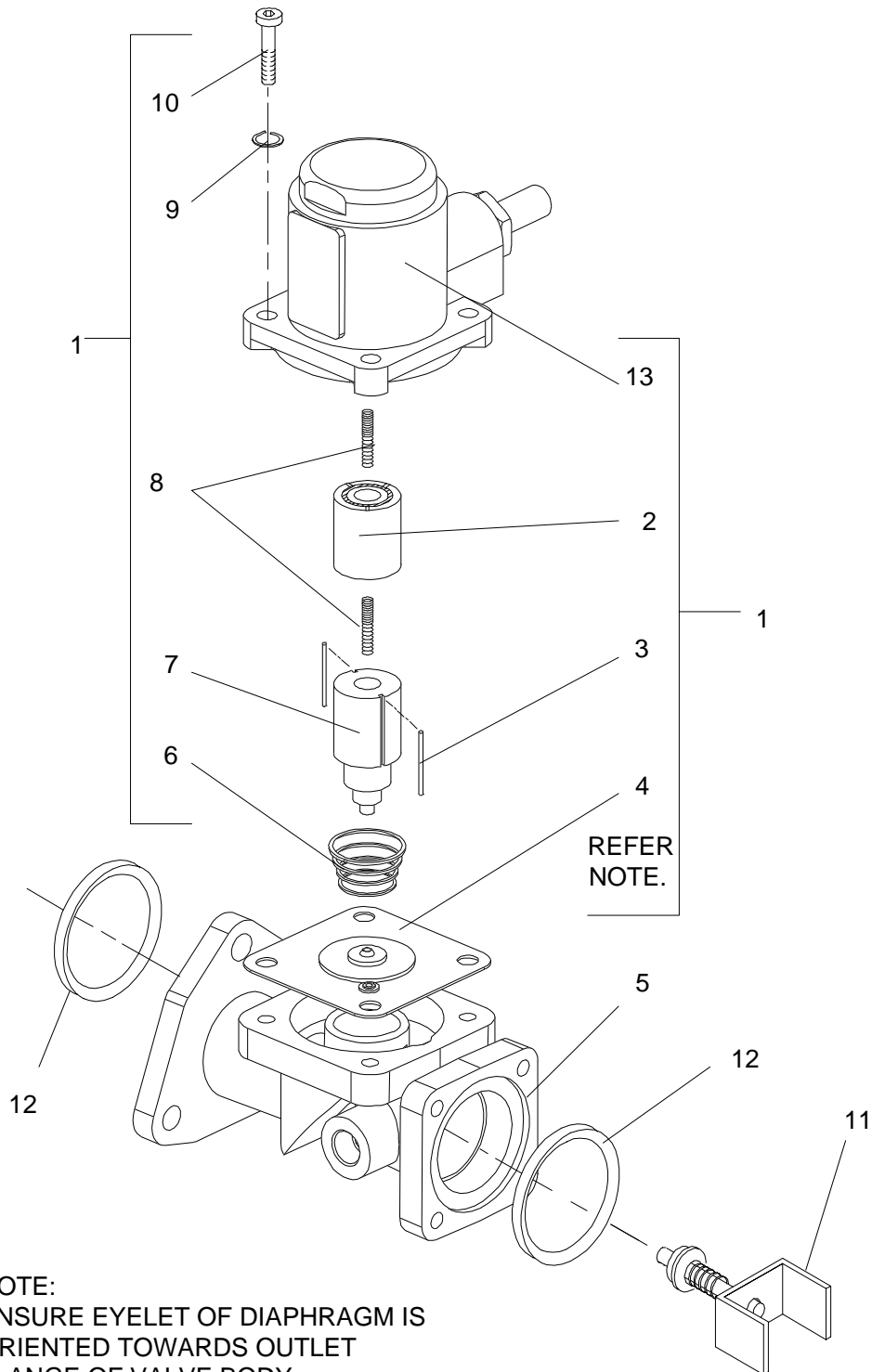
ITEM	Qty req'd for Model			PART NUMBER	DESCRIPTION
	DIST L/F	DIST H/F	PET L/F		
1	1	-	1	DT04715-005	Valve body machined L/F
1	-	1	-	DT04715-006	Valve body machined H/F
2	1	1	1	AR14025-10	Valve cap
3	2	2	2	DQ41010-223	O-Ring
4	-	-	1	DN04799	Valve assembly
5	1	1	1	DN04857	Gasket
6	1	1	1	DQ49110-001	Pipe plug 1/8" B.S.P.
7	4	4	4	DQ23102-507	Screw M6 x 20 hex. head
8	4	4	4	DQ41508-004	Washer spring M6

FLOW CONTROL VALVE - MK3

DR06220 SERIES

SINGLE PRODUCT DUAL PUMP & ALL DISPENSERS

(NOTE: PRESET & NON PRESET VERSIONS REQUIRE A F.C.V.)



NOTE:
ENSURE EYELET OF DIAPHRAGM IS
ORIENTED TOWARDS OUTLET
FLANGE OF VALVE BODY.

DG000 016.DXF

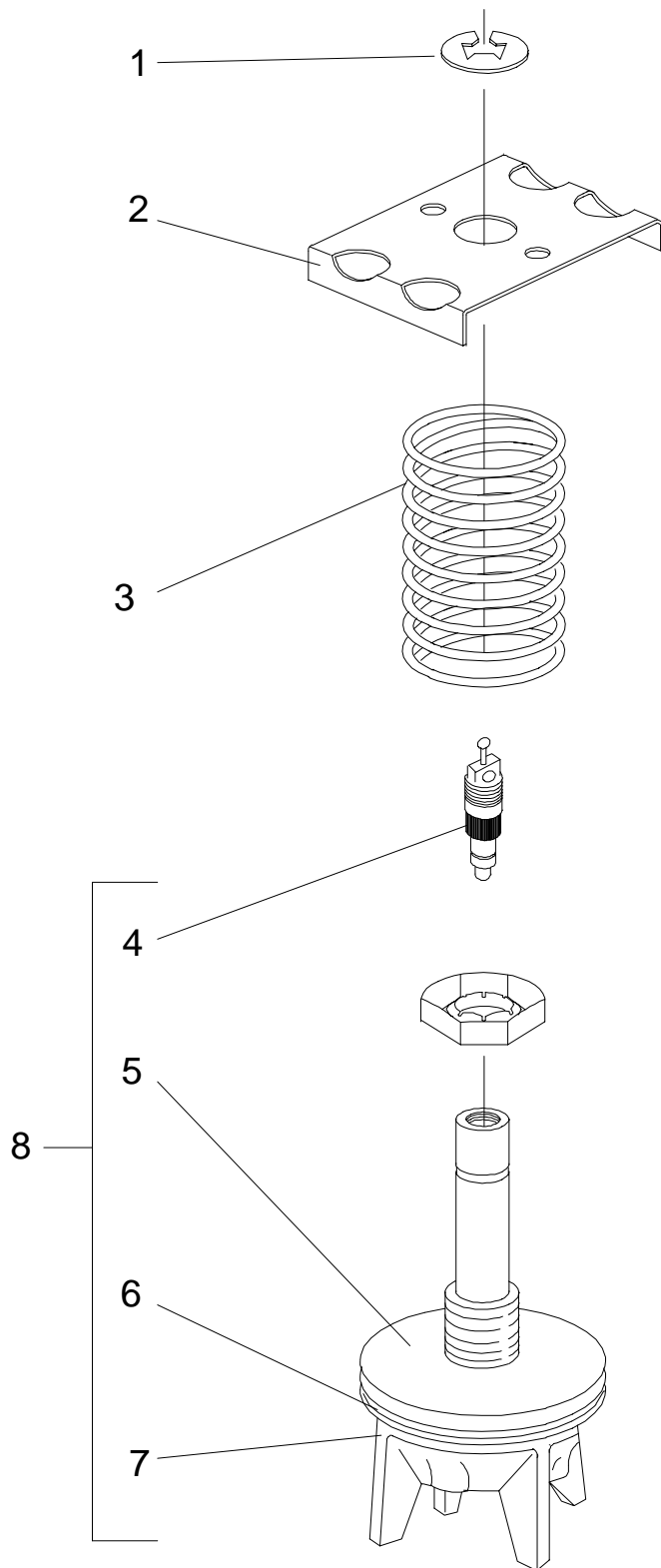
F.C.V. MK3 SINGLE PROD DUAL & DISPENSERS
(PRESET AND NON PRESET)

CAUTION - DO NOT use item number for parts ordering - use only the correct part number and description.

ITEM	Qty req'd for Model			PART NUMBER	DESCRIPTION
	DIST L/F	DIST H/F	PET L/F		
1	1	1	1	DQ49620-001	Diaphragm valve assembly
2	1	1	1	--	Plunger A (included in item 1)
3	2	2	2	--	Pin (included in item 1)
4	1	1	1	--	Diaphragm (included in item 1)
5	1	-	1	DT04715-005	Valve body
5	-	1	-	DT04715-006	Valve body
6	1	1	1	--	Spring (included in item 1)
7	1	1	1	--	Plunger B (included in item 1)
8	2	2	2	--	Spring - plunger (included in item 1)
9	4	4	4	--	Spring washer M6 (included in item 1)
10	4	4	4	--	Screw M6 x 20 socket head (inc. in item 1)
11	1	-	1	DN04799	Valve assembly - back pressure
12	2	2	2	DQ41011-223	O-ring
13	1	1	1	--	Solenoid valve Goyen

VALVE

DK03483 - LO-FLOW
DK03483-001 - HI-FLOW



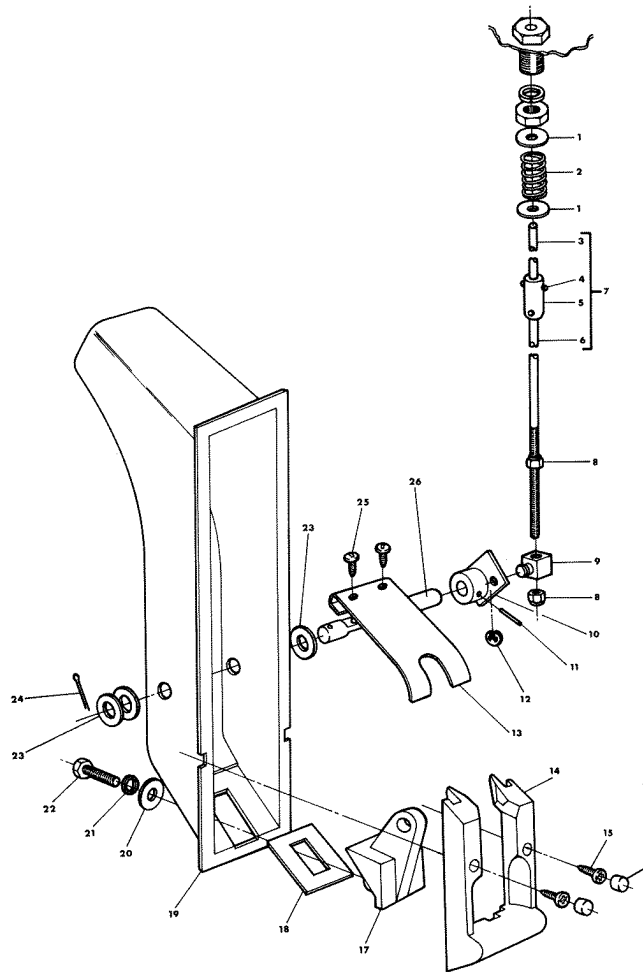
DG000 017.DXF

VALVE - DK03483

CAUTION - DO NOT use item number for parts ordering - use only the correct part number and description.

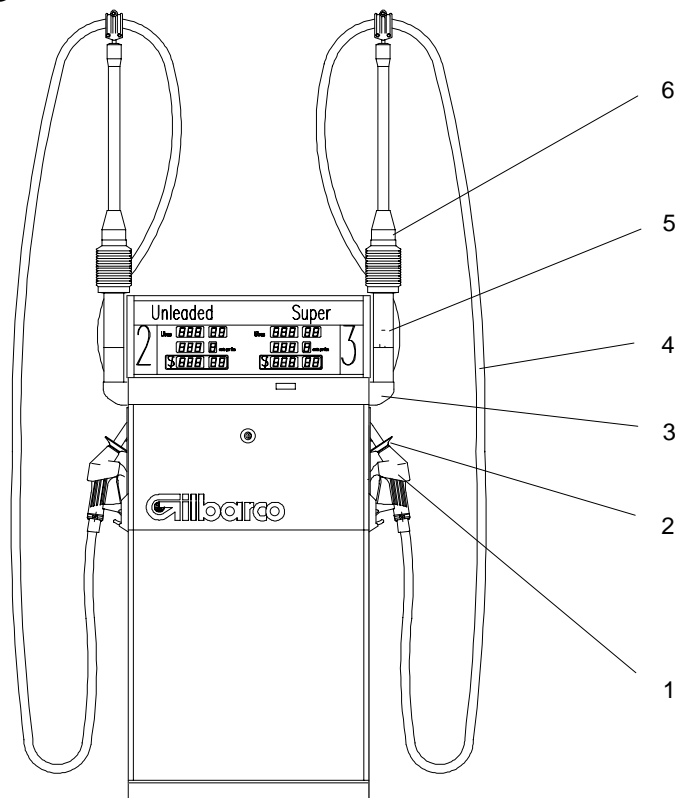
ITEM	Qty req'd for Model			PART NUMBER	DESCRIPTION
	L/F	H/F -001			
1	1	1		DQ46002-005	Circlip
2	1	1		DK04035-001	Valve guide
3	1	-		T019-0150	Valve spring
3	-	1		AK88744	Valve spring
4	AR	AR		AN22954	Valve (included in item 8)
5	AR	AR		AK93482	Disc retainer (included in item 8)
6	AR	AR		AK81332	Disc (included in item 8)
7	AR	AR		AR18574	Stem (included in item 8)
8	1	1		DK04880	Valve assembly (includes items 4 thru 7)

NOZZLE BOOT & SWITCH LINKAGES



DG000 228.TIF

HOSE DETAILS



DG000 231.DXF

NOZZLE BOOT

CAUTION - DO NOT use item number for parts ordering - use only the correct part number and description.

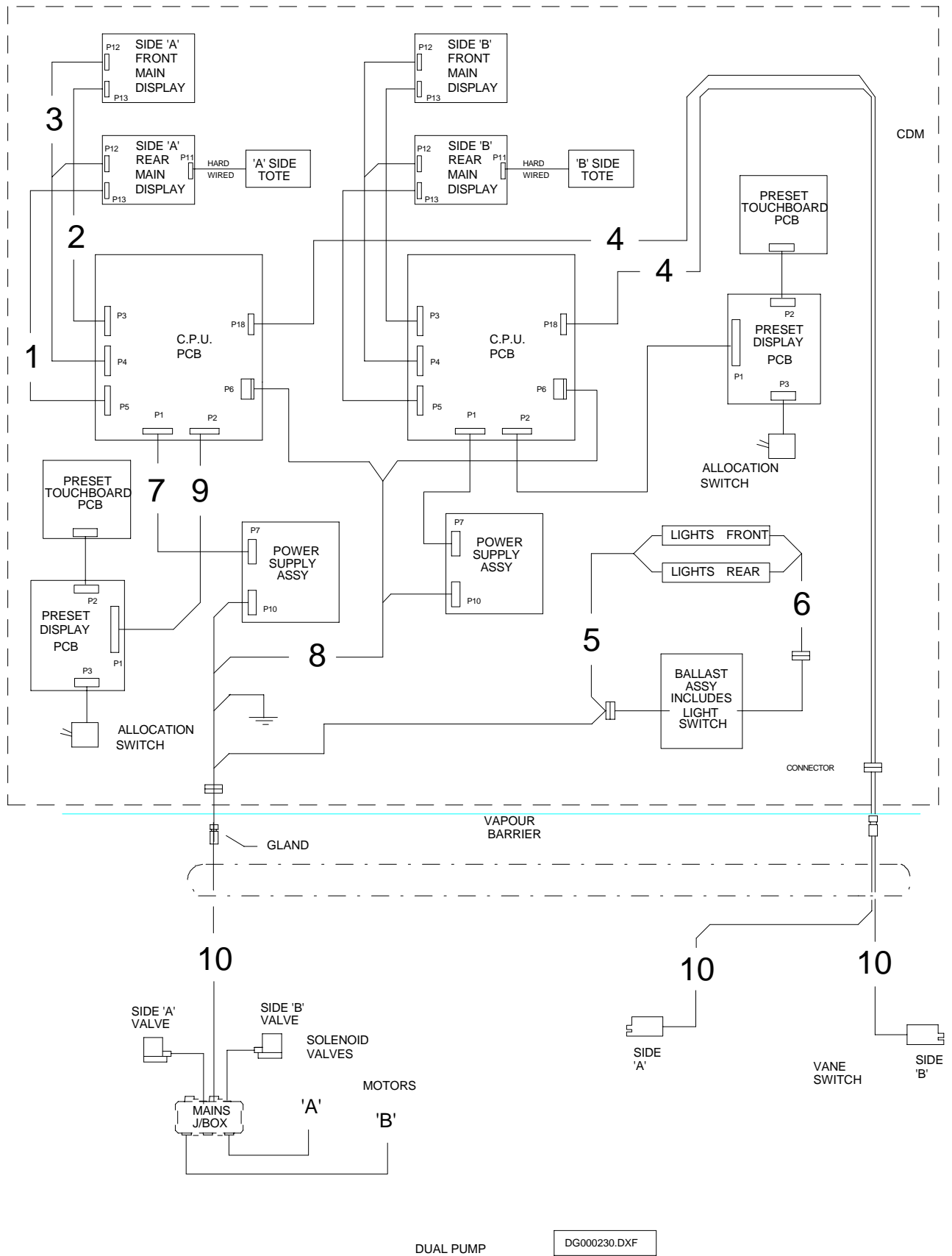
ITEM	Qty req'd for Model			PART NUMBER	DESCRIPTION
1	2			DQ41501-013	Washer M6 flat
2	1			T019-0125	Spring tension
3	1			DK02788	Upper switch rod (inc. in item 7)
4	2			DQ41600-002	Pin roll 1.6 dia x 5/16" LG (inc. in item 7)
5	1			DK02789	Flexible joint (inc. in item 7)
6	1			DK02787	Lower switch rod (inc. in item 7)
7	1			DK02778	Switch rod assembly
8	2			DQ38050-002	Nut nyloc
9	1			DK02313-001	Stud
10	1			DK02316-001	Lever & hub
11	1			Z06721	Pin roll 1/8" dia x 3/4" LG
12	1			DQ46002-007	Circlip
13	1			DK00918	Nozzle flap
14	1			DR01059-002	Nozzle buffer
15	2			DQ23119-080	Screw # 8 - 32 x 22 pan head tek
16	2			T650-3052	Seal cap
17	1			T161-0090	Nozzle hook
18	1			T160-0113	Gasket
19	1			T180-0102	Nozzle boot machined
20	1			DQ41501-014	Washer M7 flat
21	1			DQ41508-004	Washer M6 spring
22	1			DQ23102-509	Screw M6 x 25 hex head
23	AR			DQ41501-016	Washer M10 flat
24	1			DQ41601-083	Pin split
25	2			DQ23007-198	Screw pan head # 8 x 3/8"
26	1			DK02836	Flap shaft

HOSE DETAILS

CAUTION - DO NOT use item number for parts ordering - use only the correct part number and description.

ITEM	Qty req'd for Model			PART NUMBER	DESCRIPTION
1	1			T250BE	Nozzle
1	1			T250BH	Nozzle (Unleaded)
2	1			DR02073	Splash Guard
3	1			DN04860-001	Flexmast mount assembly
4	--			DT00102-725	Hose assy Instruction (Specifies hose lengths)
5	1			DQ50002-004	Stud M12 x 55
6	1			DT03597-003	Flexmast assembly

CABLES -



CABLES

CAUTION - DO NOT use item number for parts ordering - use only the correct part number and description.

ITEM	Qty req'd for Model			PART NUMBER	DESCRIPTION
	Dual	Single			
1	2	1		DN02804-002	Cable - Segment short
2	2	1		DN02804-003	Cable - Segment long
3	2	1		DN02804-001	Cable - Digit select
4	2	1		DN03735-002	Cable - Rough pulser
5	1	1		DN03005-002	Cable - Light loom assembly
6	1	1		DN03005-001	Cable - Light loom assembly
7	2	1		DN02804-004	Cable - Power supply
8	1	1		DR04037	Cable - CDM loom assembly
9	2	1		DN02804-005	Cable - Preset assembly
10	-	1		DR05100-006	Cable - Gland and cable assembly Single
10	1	-		DR05100-007	Cable - Gland and cable assembly Dual
11	REF	REF		DN05090-001	Cable - Vane switch assy (Part of item 10)
12	REF	REF		DK02827	Cable - Mains power (Part of item 10)

This page intentionally left blank.